

Qty. Description

1 JP 5-48 PT-H



Note! Product picture may differ from actual product

Product No.: [99463877](#)

Grundfos JP 5-48 PT-H consist of a Grundfos JP pump, a pressure switch, a pressure gauge and a Grundfos GT-H 20-litre horizontal diaphragm pressure tank. The booster set features a dual outlet selection for easy installation and a pressure tank to reduce water hammer in the pipework.

The JP 5-48 PT-H provides the comfort of constant water pressure with automatic start and stop.

This is controlled by the pressure switch and pressure tank combined ensuring optimal start/stop of the booster set according to demand.

The pressure tank limits the number of start/stop routines, as water stored in the tank can be used without starting the pump in cases of low water consumption or leakage loss.

The cut-in pressure is set to 2.2 bar.

The design is robust and built upon corrosion-free materials to ensure a long lifetime.

This booster set ensures optimum self-priming properties, featuring a suction-lift up to 8 meters.

The self-priming pump also ensures a stable operation as is it able to lift liquid from below the inlet level and can handle a mix of air and liquid until the pump reaches a fully-primed pumping condition.

The JP pump has built-in thermal protection, which immediately stops the pump if it overheats. The motor is air cooled and equipped with oversized, sealed, greased-for-life ball bearings to ensure silent operation and minimum service.

Controls:

Type of connector: Type E/F (CEE7/7)

Liquid:

Pumped liquid: Water
 Liquid temperature range: 0 .. 40 °C
 Selected liquid temperature: 20 °C
 Density: 998.2 kg/m³

Technical:

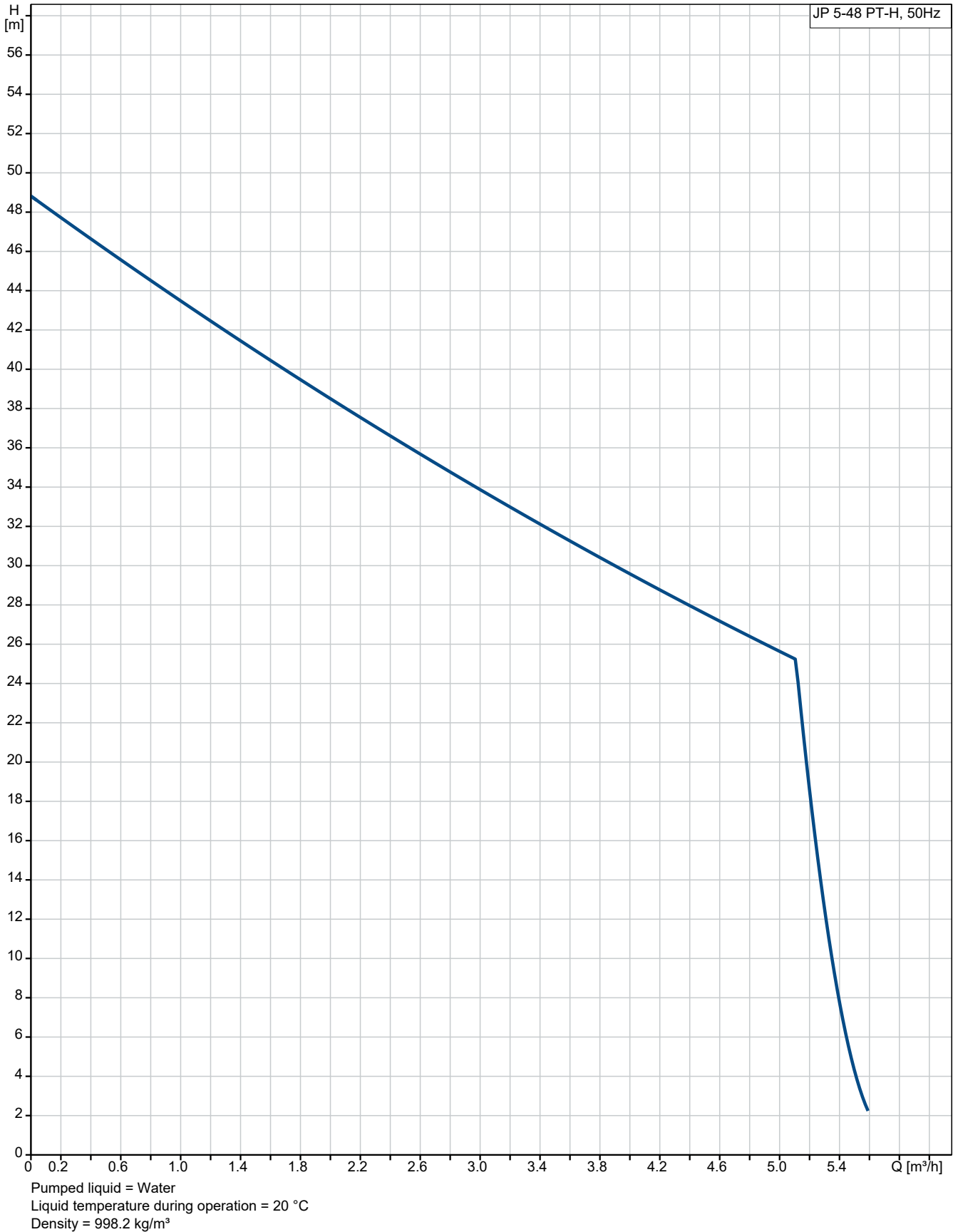
Rated flow: 5 m³/h
 Rated head: 27.83 m
 Code for shaft seal: BBVP
 Approvals: CE,EAC
 Curve tolerance: ISO9906:2012 3B
 Adjustable start pressure (Yes/No): N
 Start pressure: 2.2 bar

Materials:

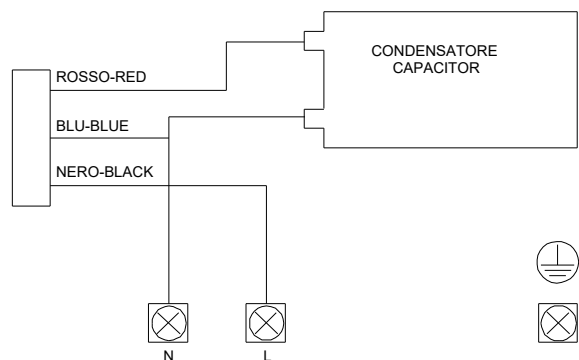
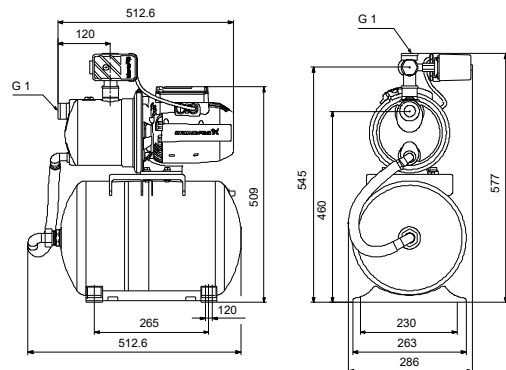
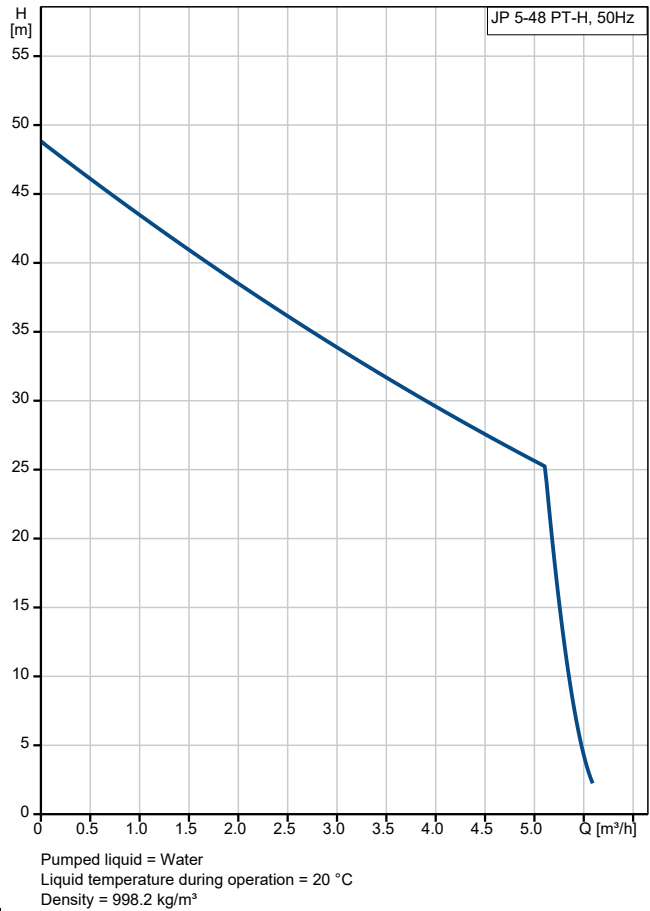
Pump housing: Stainless steel

Qty.	Description
1	<p data-bbox="568 342 679 365">EN 1.4301</p> <p data-bbox="568 371 660 394">AISI 304</p> <p data-bbox="204 405 296 427">Impeller:</p> <p data-bbox="568 405 679 427">Composite</p> <p data-bbox="568 434 679 456">PPO-20GF</p> <p data-bbox="204 499 325 521">Installation:</p> <p data-bbox="204 528 667 551">Range of ambient temperature: 0 .. 40 °C</p> <p data-bbox="204 557 660 580">Maximum operating pressure: PN 6 bar</p> <p data-bbox="204 586 673 609">Pipe connection standard: ISO 228-1</p> <p data-bbox="204 616 616 638">Type of inlet connection: G(F)</p> <p data-bbox="204 645 616 667">Type of outlet connection: G(F)</p> <p data-bbox="204 674 628 696">Size of inlet connection: 1 inch</p> <p data-bbox="204 703 628 725">Size of outlet connection: 1 inch</p> <p data-bbox="204 732 616 754">Pressure rating for connection: PN 6</p> <p data-bbox="204 797 360 819">Electrical data:</p> <p data-bbox="204 826 647 848">Power input P1: 1390 W</p> <p data-bbox="204 855 616 878">Rated power - P2: 1 kW</p> <p data-bbox="204 884 628 907">Mains frequency: 50 Hz</p> <p data-bbox="204 913 715 936">Rated voltage: 1 x 220-240 V</p> <p data-bbox="204 943 616 965">Rated current: 6.1 A</p> <p data-bbox="204 972 628 994">Starting current: 28.4 A</p> <p data-bbox="204 1001 667 1023">Rated speed: 2870 rpm</p> <p data-bbox="204 1030 699 1052">Capacitor size - run: 25 µF/450 V</p> <p data-bbox="204 1059 616 1081">Enclosure class (IEC 34-5): IP44</p> <p data-bbox="204 1088 577 1111">Insulation class (IEC 85): F</p> <p data-bbox="204 1117 628 1140">Length of cable: 1.5 m</p> <p data-bbox="204 1146 667 1169">Power plug: SCHUKO</p> <p data-bbox="204 1211 264 1234">Tank:</p> <p data-bbox="204 1240 603 1263">Tank volume: 20 l</p> <p data-bbox="204 1305 280 1328">Others:</p> <p data-bbox="204 1335 628 1357">Net weight: 19 kg</p> <p data-bbox="204 1364 628 1386">Gross weight: 23 kg</p> <p data-bbox="204 1393 660 1415">Swedish RSK No.: 5928697</p> <p data-bbox="204 1422 660 1444">Finnish LVI No.: 4732542</p> <p data-bbox="204 1451 660 1473">Norwegian NRF no.: 9040042</p> <p data-bbox="204 1480 603 1503">Country of origin: HU</p> <p data-bbox="204 1509 673 1532">Custom tariff no.: 84137051</p> <p data-bbox="204 1538 628 1561">Environmental approvals: WEEE</p>

99463877 JP 5-48 PT-H 50 Hz



Description	Value
General information:	
Product name:	JP 5-48 PT-H
Product No:	99463877
EAN number:	5713829542471
Price:	Eur 572
Technical:	
Rated flow:	5 m ³ /h
Rated head:	27.83 m
Code for shaft seal:	BBVP
Approvals:	CE,EAC
Curve tolerance:	ISO9906:2012 3B
Pump version:	A
Model:	A
Adjustable start pressure (Yes/No):	N
Start pressure:	2.2 bar
Materials:	
Pump housing:	Stainless steel
Pump housing:	EN 1.4301
Pump housing:	AISI 304
Impeller:	Composite
Impeller:	PPO-20GF
Material code:	A
Installation:	
Range of ambient temperature:	0 .. 40 °C
Maximum operating pressure:	PN 6 bar
Pipe connection standard:	ISO 228-1
Type of inlet connection:	G(F)
Type of outlet connection:	G(F)
Size of inlet connection:	1 inch
Size of outlet connection:	1 inch
Pressure rating for connection:	PN 6
Liquid:	
Pumped liquid:	Water
Liquid temperature range:	0 .. 40 °C
Selected liquid temperature:	20 °C
Density:	998.2 kg/m ³
Electrical data:	
Power input P1:	1390 W
Rated power - P2:	1 kW
Mains frequency:	50 Hz
Rated voltage:	1 x 220-240 V
Rated current:	6.1 A
Starting current:	28.4 A
Rated speed:	2870 rpm
Capacitor size - run:	25 µF/450 V
Enclosure class (IEC 34-5):	IP44
Insulation class (IEC 85):	F
Length of cable:	1.5 m
Power plug:	SCHUKO
Controls:	
Type of connector:	Type E/F (CEE7/7)
Tank:	
Tank volume:	20 l
Others:	
Net weight:	19 kg
Gross weight:	23 kg
Swedish RSK No.:	5928697
Finnish LVI No.:	4732542





Company name:

Created by:

Phone:

Date:

12/06/2024

Description	Value
Norwegian NRF no.:	9040042
Country of origin:	HU
Custom tariff no.:	84137051
Environmental approvals:	WEEE