

Qty. Description

1 JP 4-54 PT-H



Note! Product picture may differ from actual product

Product No.: [99463876](#)

Grundfos JP 4-54 PT-H consist of a Grundfos JP pump, a pressure switch, a pressure gauge and a Grundfos GT-H 20-litre horizontal diaphragm pressure tank. The booster set features a dual outlet selection for easy installation and a pressure tank to reduce water hammer in the pipework.

The JP 4-54 PT-H provides the comfort of constant water pressure with automatic start and stop.

This is controlled by the pressure switch and pressure tank combined ensuring optimal start/stop of the booster set according to demand.

The pressure tank limits the number of start/stop routines, as water stored in the tank can be used without starting the pump in cases of low water consumption or leakage loss.

The cut-in pressure is set to 2.2 bar.

The design is robust and built upon corrosion-free materials to ensure a long lifetime.

This booster set ensures optimum self-priming properties, featuring a suction-lift up to 8 meters.

The self-priming pump also ensures a stable operation as is it able to lift liquid from below the inlet level and can handle a mix of air and liquid until the pump reaches a fully-primed pumping condition.

The JP pump has built-in thermal protection, which immediately stops the pump if it overheats. The motor is air cooled and equipped with oversized, sealed, greased-for-life ball bearings to ensure silent operation and minimum service.

Controls:

Type of connector: Type E/F (CEE7/7)

Liquid:

Pumped liquid: Water
 Liquid temperature range: 0 .. 40 °C
 Selected liquid temperature: 20 °C
 Density: 998.2 kg/m³

Technical:

Rated flow: 4 m³/h
 Rated head: 22.72 m
 Code for shaft seal: BBVP
 Approvals: CE,EAC
 Curve tolerance: ISO9906:2012 3B
 Adjustable start pressure (Yes/No): N
 Start pressure: 2.2 bar

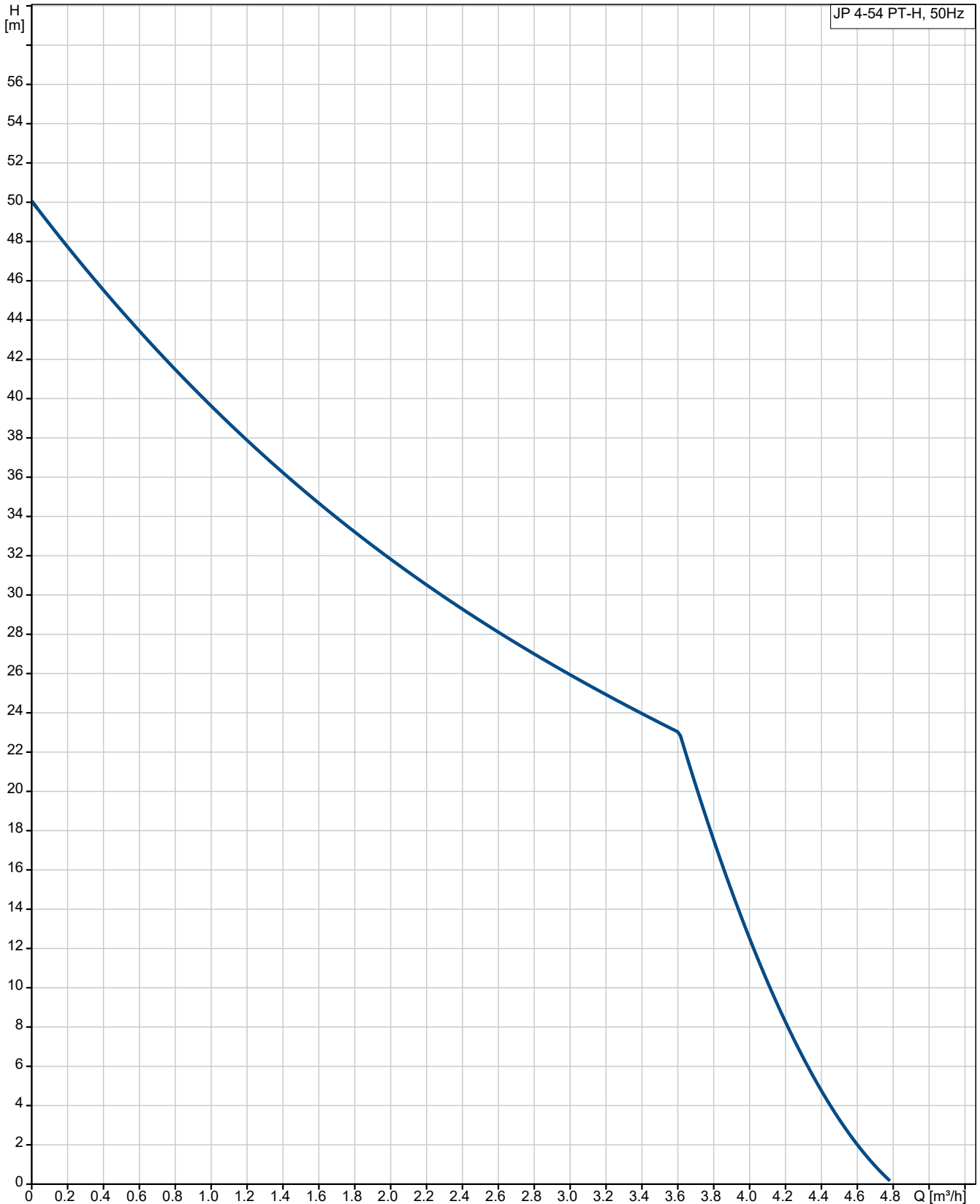
Materials:

Pump housing: Stainless steel

Qty. Description

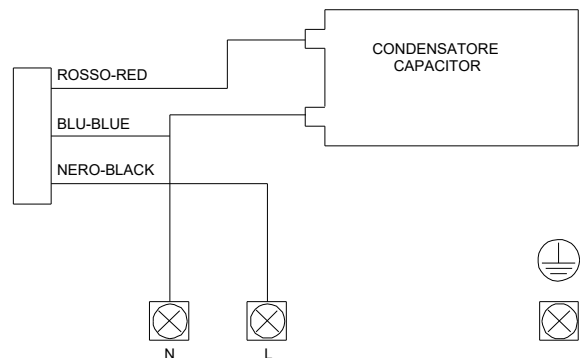
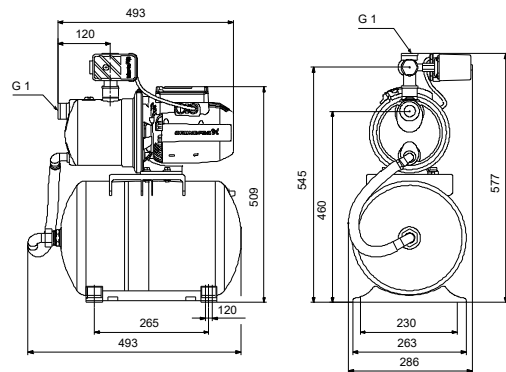
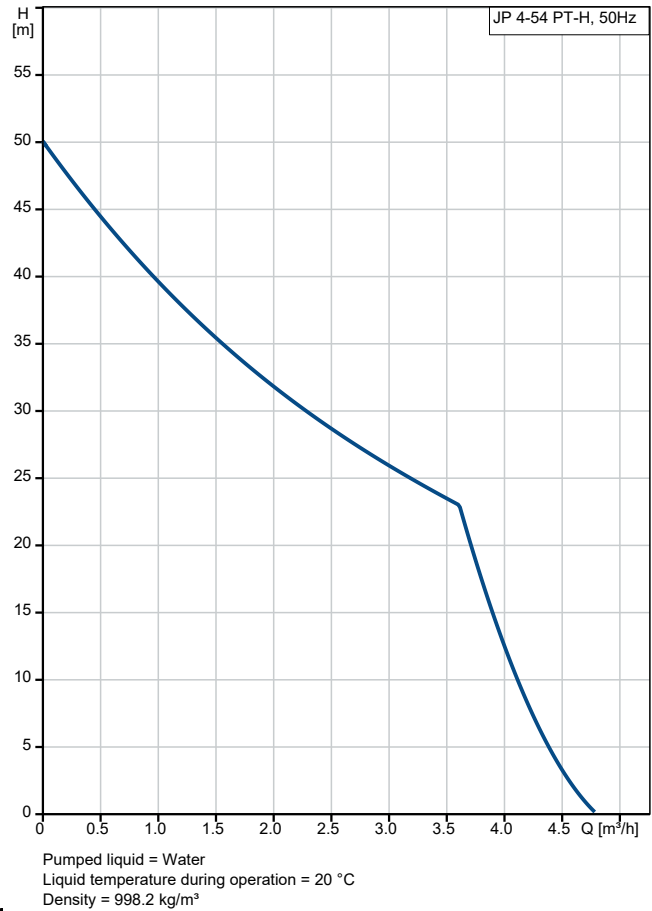
| | |
|---|--------------------------------------------------------------------------------------------------------------------------------------------------------------------------------------------------------------------------------------------------------------------------------------------------------------------------------------------------------------------------------------------------------------------------------------------------------------------------------------------------------------------------------------------------------------------------------------------------------------------------------------------------------------------------------------------------------------------------------------------------------------------------------------------------------------------------------------------------------------------------------------------------------------------------------------------------------------------------------------------------------------------------------------|
| 1 | <p>EN 1.4301 AISI 304 Impeller: Composite PPO-20GF</p> <p>Installation: Range of ambient temperature: 0 .. 40 °C Maximum operating pressure: PN 6 bar Pipe connection standard: ISO 228-1 Type of inlet connection: G(F) Type of outlet connection: G(F) Size of inlet connection: 1 inch Size of outlet connection: 1 inch Pressure rating for connection: PN 6</p> <p>Electrical data: Power input P1: 1020 W Rated power - P2: 0.75 kW Mains frequency: 50 Hz Rated voltage: 1 x 220-240 V Rated current: 4.5 A Starting current: 16.9 A Rated speed: 2840 rpm Capacitor size - run: 16 µF/450 V Enclosure class (IEC 34-5): IP44 Insulation class (IEC 85): F Length of cable: 1.5 m Power plug: SCHUKO</p> <p>Tank: Tank volume: 20 l</p> <p>Others: Net weight: 21 kg Gross weight: 22 kg Finnish LVI No.: 4732541 Country of origin: HU Custom tariff no.: 84137051 Environmental approvals: WEEE</p> |
|---|--------------------------------------------------------------------------------------------------------------------------------------------------------------------------------------------------------------------------------------------------------------------------------------------------------------------------------------------------------------------------------------------------------------------------------------------------------------------------------------------------------------------------------------------------------------------------------------------------------------------------------------------------------------------------------------------------------------------------------------------------------------------------------------------------------------------------------------------------------------------------------------------------------------------------------------------------------------------------------------------------------------------------------------|

99463876 JP 4-54 PT-H 50 Hz



Pumped liquid = Water
Liquid temperature during operation = 20 °C
Density = 998.2 kg/m³

| Description | Value |
|-------------------------------------|-------------------------|
| General information: | |
| Product name: | JP 4-54 PT-H |
| Product No: | 99463876 |
| EAN number: | 5713829542464 |
| Price: | Eur 546 |
| Technical: | |
| Rated flow: | 4 m ³ /h |
| Rated head: | 22.72 m |
| Code for shaft seal: | BBVP |
| Approvals: | CE,EAC |
| Curve tolerance: | ISO9906:2012 3B |
| Pump version: | A |
| Model: | A |
| Adjustable start pressure (Yes/No): | N |
| Start pressure: | 2.2 bar |
| Materials: | |
| Pump housing: | Stainless steel |
| Pump housing: | EN 1.4301 |
| Pump housing: | AISI 304 |
| Impeller: | Composite |
| Impeller: | PPO-20GF |
| Material code: | A |
| Installation: | |
| Range of ambient temperature: | 0 .. 40 °C |
| Maximum operating pressure: | PN 6 bar |
| Pipe connection standard: | ISO 228-1 |
| Type of inlet connection: | G(F) |
| Type of outlet connection: | G(F) |
| Size of inlet connection: | 1 inch |
| Size of outlet connection: | 1 inch |
| Pressure rating for connection: | PN 6 |
| Liquid: | |
| Pumped liquid: | Water |
| Liquid temperature range: | 0 .. 40 °C |
| Selected liquid temperature: | 20 °C |
| Density: | 998.2 kg/m ³ |
| Electrical data: | |
| Power input P1: | 1020 W |
| Rated power - P2: | 0.75 kW |
| Mains frequency: | 50 Hz |
| Rated voltage: | 1 x 220-240 V |
| Rated current: | 4.5 A |
| Starting current: | 16.9 A |
| Rated speed: | 2840 rpm |
| Capacitor size - run: | 16 µF/450 V |
| Enclosure class (IEC 34-5): | IP44 |
| Insulation class (IEC 85): | F |
| Length of cable: | 1.5 m |
| Power plug: | SCHUKO |
| Controls: | |
| Type of connector: | Type E/F (CEE7/7) |
| Tank: | |
| Tank volume: | 20 l |
| Others: | |
| Net weight: | 21 kg |
| Gross weight: | 22 kg |
| Finnish LVI No.: | 4732541 |
| Country of origin: | HU |





Company name:

Created by:

Phone:

Date:

12/06/2024

| Description | Value |
|--------------------------|----------|
| Custom tariff no.: | 84137051 |
| Environmental approvals: | WEEE |