

Qty. Description

1 JP 5-48



Note! Product picture may differ from actual product

Product No.: [99458769](#)

Grundfos JP 5-48 is a self-priming single-stage centrifugal jet pump with axial inlet and radial outlet for easy adaption to local piping system. The JP pump is ideal for transferring water from wells or ground tanks in a large variety of installations and it has excellent suction capacity.

The JP pump is designed for a long and trouble-free operation.

The overall design is robust with excellent corrosion resistance ensured by the stainless steel pump housing, composite impeller and paint application by electrophoresis.

JP is small and compact with a lifting handle that makes the pump handy and easy to carry.

The compact pump features a built in ejector with guide vanes.

This ensures optimum self-priming properties, featuring a suction-lift up to 8 meters.

The self-priming pump also ensures a stable operation as is it able to lift liquid from below the inlet level and can handle a mix of air and liquid until the pump reaches a fully-primed pumping condition.

The JP pump has built-in thermal protection, which immediately stops the pump if it overheats. The motor is air cooled and equipped with oversized, sealed, greased-for-life ball bearings to ensure silent operation and minimum service.

Controls:

Type of connector: Type E/F (CEE7/7)

Liquid:

Pumped liquid: Water

Liquid temperature range: 0 .. 40 °C

Selected liquid temperature: 20 °C

Density: 998.2 kg/m³

Technical:

Rated flow: 5 m³/h

Rated head: 27.83 m

Code for shaft seal: BBVP

Approvals: CE,EAC

Curve tolerance: ISO9906:2012 3B

Materials:

Pump housing: Stainless steel

EN 1.4301

AISI 304

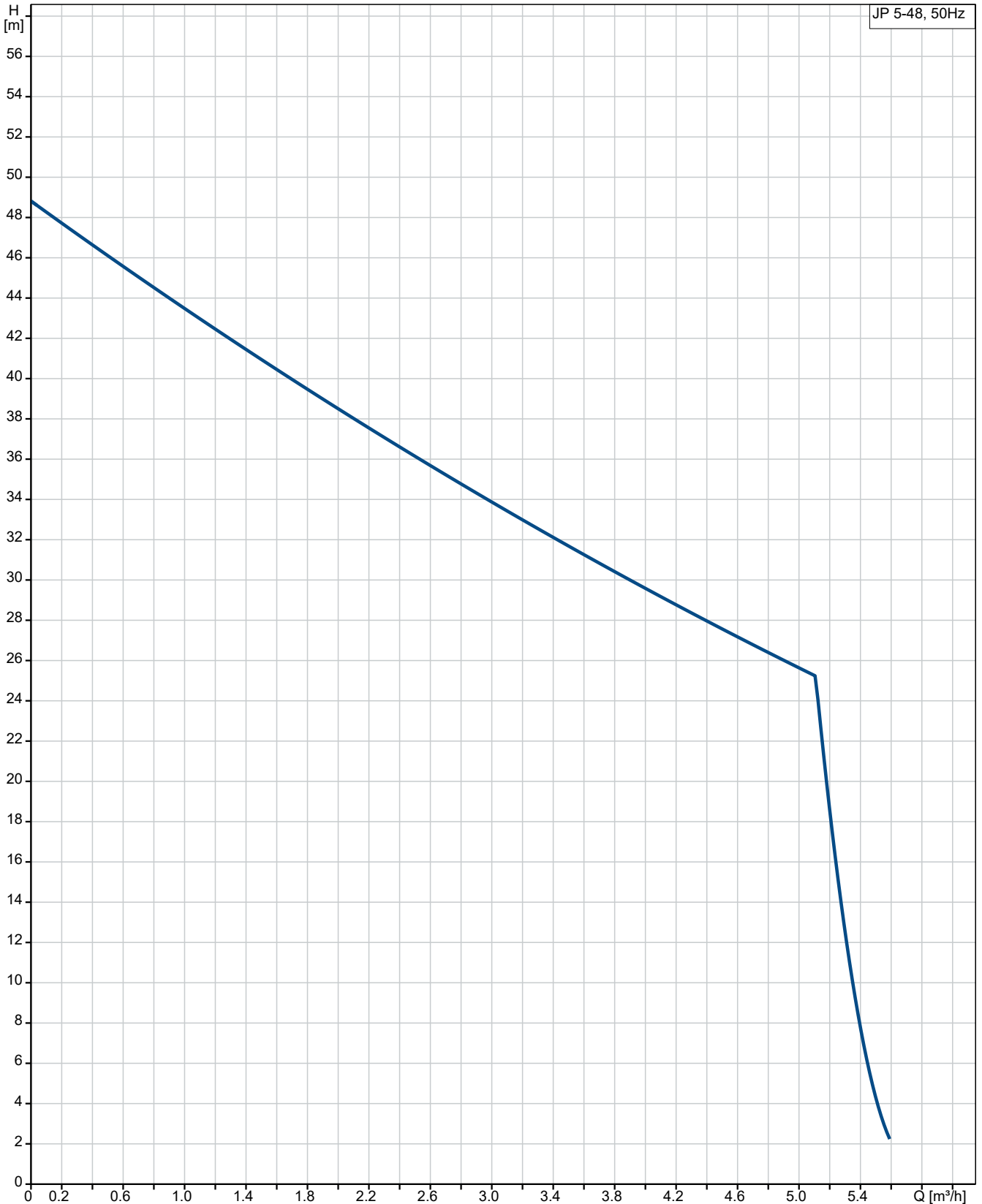
Impeller: Composite

PPO-20GF

Installation:

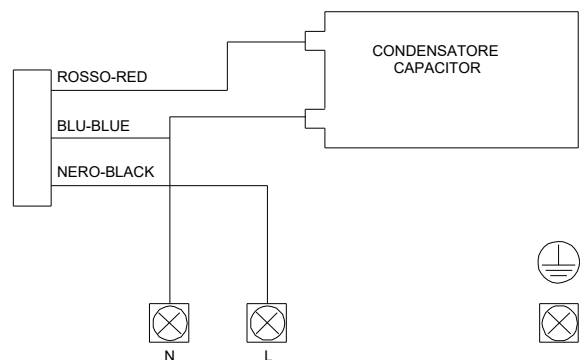
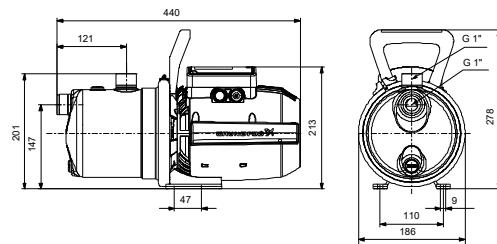
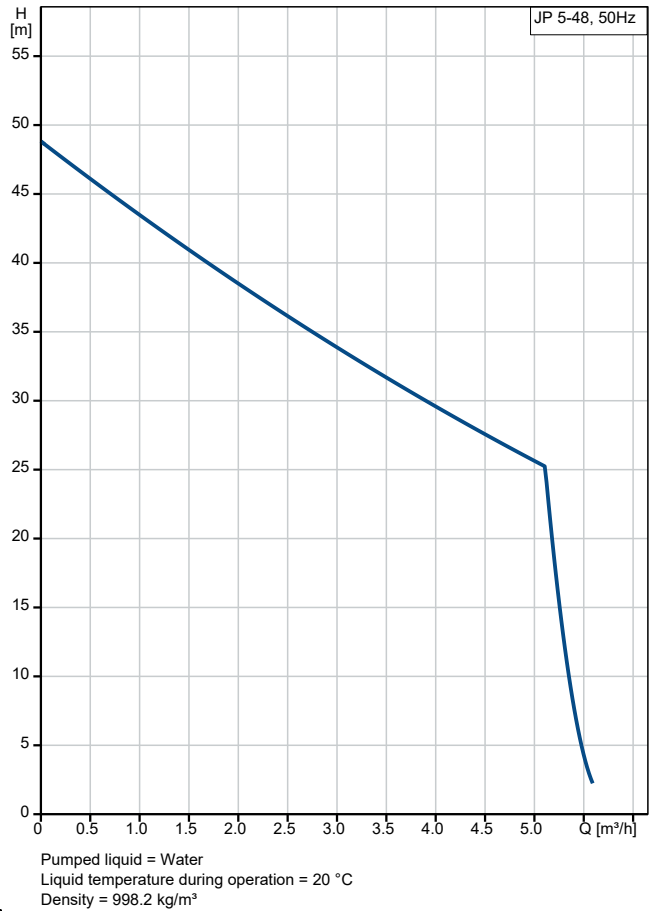
Qty.	Description
1	<p>Range of ambient temperature: 0 .. 40 °C Maximum operating pressure: 6 bar Maximum permissible inlet pressure: 1 bar Pipe connection standard: ISO 228-1 Pump inlet: G1 Pump outlet: G1 Pressure rating for connection: PN 6</p> <p>Electrical data: Power input P1: 1390 W Rated power - P2: 1 kW Mains frequency: 50 Hz Rated voltage: 1 x 220-240 V Rated current: 6.1 A Starting current: 28.4 A Rated speed: 2870 rpm Capacitor size - run: 35 µF/450 V Enclosure class (IEC 34-5): IP44 Insulation class (IEC 85): F Length of cable: 1.5 m Power plug: SCHUKO</p> <p>Others: Net weight: 13 kg Gross weight: 15 kg Shipping volume: 0.026 m³ Danish VVS No.: 385534050 Swedish RSK No.: 5928696 Finnish LVI No.: 4732538 Norwegian NRF no.: 9040047 Country of origin: HU Custom tariff no.: 84137051 Environmental approvals: WEEE</p>

99458769 JP 5-48 50 Hz



Pumped liquid = Water
Liquid temperature during operation = 20 °C
Density = 998.2 kg/m³

Description	Value
General information:	
Product name:	JP 5-48
Product No:	99458769
EAN number:	5713829460119
Price:	Eur 402
Technical:	
Rated flow:	5 m ³ /h
Rated head:	27.83 m
Maximum head:	49.5 m
Code for shaft seal:	BBVP
Approvals:	CE,EAC
Curve tolerance:	ISO9906:2012 3B
Model:	A
Materials:	
Pump housing:	Stainless steel
Pump housing:	EN 1.4301
Pump housing:	AISI 304
Impeller:	Composite
Impeller:	PPO-20GF
Material code:	S
Installation:	
Range of ambient temperature:	0 .. 40 °C
Maximum operating pressure:	6 bar
Maximum permissible inlet pressure:	1 bar
Pipe connection standard:	ISO 228-1
Pump inlet:	G1
Pump outlet:	G1
Pressure rating for connection:	PN 6
Liquid:	
Pumped liquid:	Water
Liquid temperature range:	0 .. 40 °C
Selected liquid temperature:	20 °C
Density:	998.2 kg/m ³
Electrical data:	
Power input P1:	1390 W
Rated power - P2:	1 kW
Mains frequency:	50 Hz
Rated voltage:	1 x 220-240 V
Rated current:	6.1 A
Starting current:	28.4 A
Rated speed:	2870 rpm
Capacitor size - run:	35 µF/450 V
Enclosure class (IEC 34-5):	IP44
Insulation class (IEC 85):	F
Length of cable:	1.5 m
Power plug:	SCHUKO
Cable:	Y
Controls:	
Presscontrol:	N
Switch:	N
Type of connector:	Type E/F (CEE7/7)
Others:	
Net weight:	13 kg
Gross weight:	15 kg
Shipping volume:	0.026 m ³
Danish VVS No.:	385534050
Swedish RSK No.:	5928696
Finnish LVI No.:	4732538





Company name:

Created by:

Phone:

Date:

12/06/2024

Description	Value
Norwegian NRF no.:	9040047
Country of origin:	HU
Custom tariff no.:	84137051
Environmental approvals:	WEEE