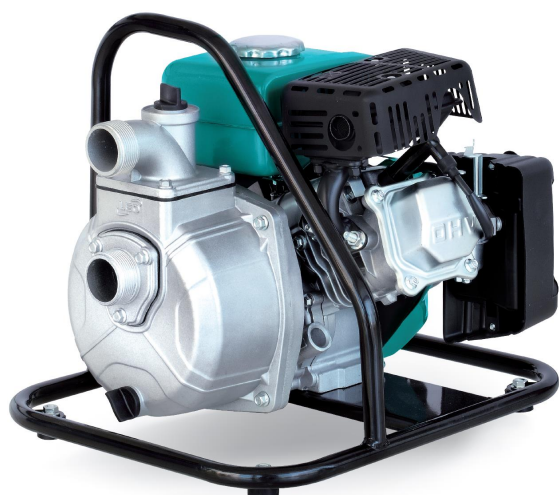


## LGP15-A Petrol engine pump



### Application

- Transfer clean water with liquid temperature between 0 °C and 40 °C.
- The gasoline water pump is applicable in water supply and drainage for factories, mines, municipal facilities and field irrigation.

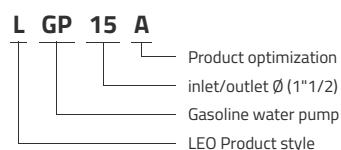
### Pompe

- Strengthened pump body ensures more durable and reliable service
- Better sealing effect by using a special mechanical seal
- Impeller designed with a highly efficient hydraulic system
- Rust resistant cast iron impeller and diffuser
- Max.suction:8 m, suck 5 m needs 120 s
- Inlet/outlet: 38 mm

### Moteur

- 4-Stroke gasoline engine power performance structural optimization and upgrading
- Ignition more convenient more complete combustion, low energy consumption, more environmentally friendly
- Single cylinder, 4-stroke, air-cooled
- Max.power:3 HP
- Rated speed: 3600 rpm

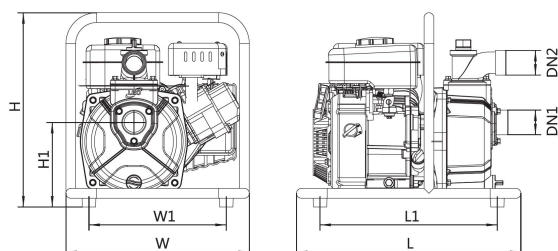
### Identification codes



## Technical data

MODEL	kW	Q (m³/h)										
		0	2	4	6	8	10	12	14	16	18	
LGP15-A	2.25	Q (l/min)										
		0	33	67	100	133	167	200	233	267	300	

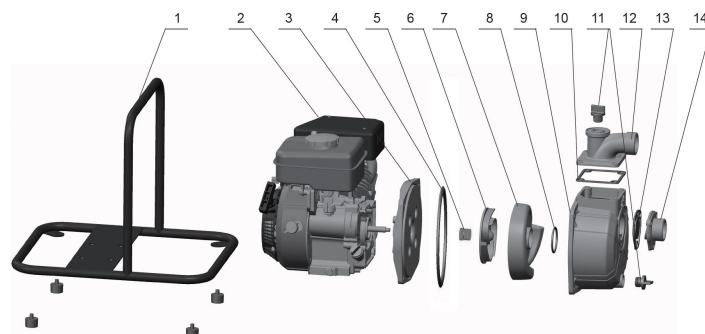
## Dimensions



MODEL	DN1	DN2	L	W	H	L1	W1	H1
LGP15-A	1½	1½	438	358	377	346	268	164.2

## Exploded view

No.	Type	Materials
1	Frame	steel
2	Engine	
3	Pump bottom	aluminium
4	O-ring	nitrile rubber (NBR)
5	Mechanical seal	carbon / ceramic
6	Impeller	cast iron HT200
7	Diffuser	cast iron HT200
8	O-ring	nitrile rubber (NBR)
9	Pump body	aluminium
10	Seal	nitrile rubber (NBR)
11	Plug	polypropylene
12	Outlet fitting	aluminium
13	Non-return valve	nitrile rubber (NBR)
14	Inlet fitting	aluminium



## Packaging

MODEL	Weight (kg)	Length L (mm)	Width W (mm)	Height H (mm)
LGP15-A	15.5	464	378	400

