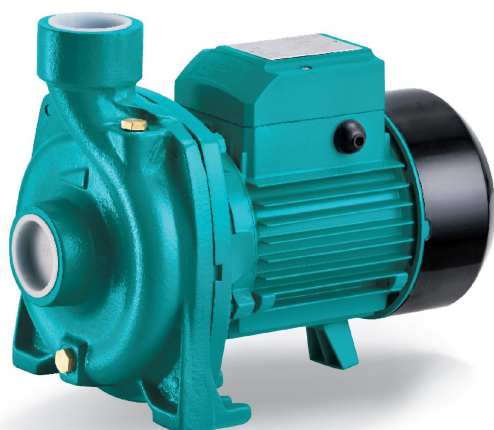


XGm Centrifugal cast iron pump to open turbine



Application

- Transfer of clear water or other liquids chemically and physically comparable to water
- Suitable for industrial use and water supply, fire system, garden irrigation, air conditioning system, circulation and overpressure, etc.

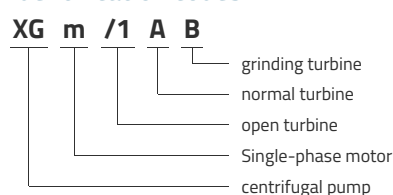
Pompe

- Special anti-rust treatment (cataphoresis) for the cast iron pump body and the lantern
- AISI 304 stainless steel shaft
- Maximum liquid temperature: +40°C
- Maximum suction height: 8 m

Moteur

- Integrated thermal protection for single-phase motors
- Insulation class: F
- Protection class: IPX4
- Maximum ambient temperature: +40°C

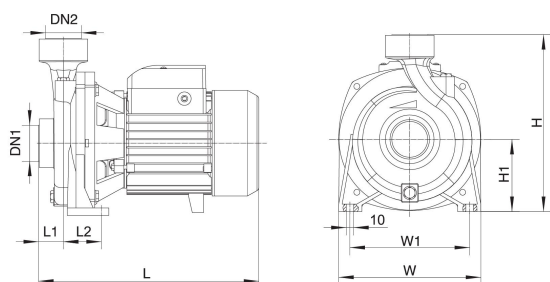
Identification codes



Technical data

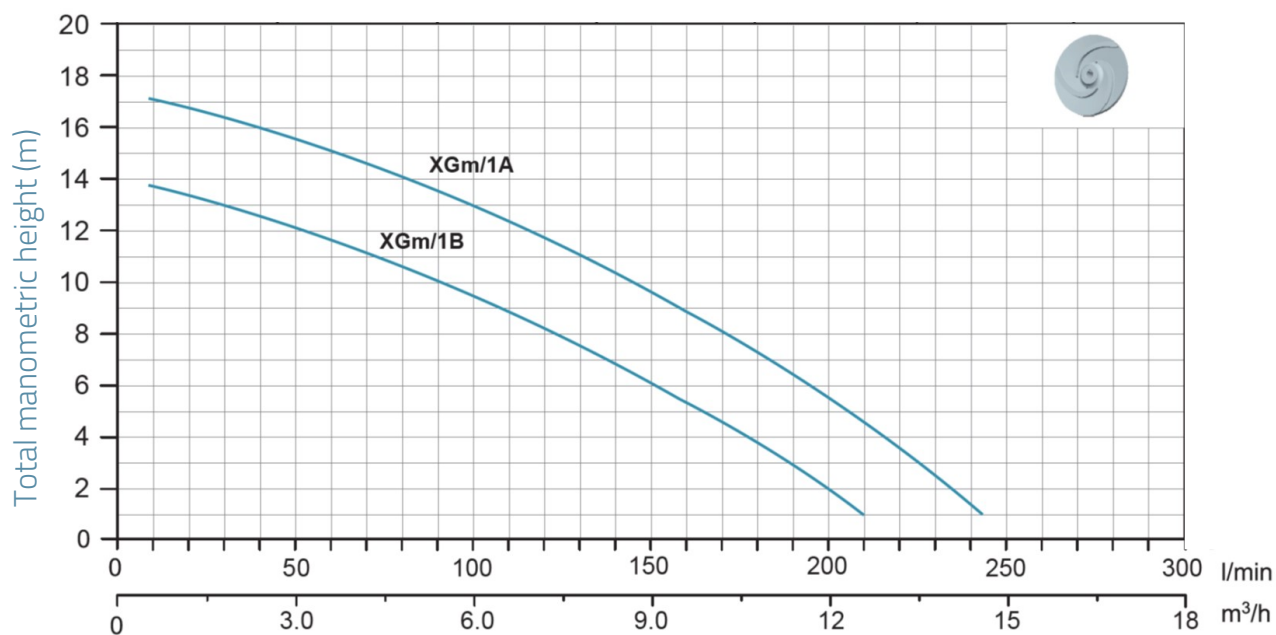
MODEL	kW	Q (m³/h)									
		0	2.4	4.2	6	7.8	9.6	11.4	13.2	14.7	
		Q (l/min)									
		0	40	70	100	130	160	190	220	245	
XGm/1A	0.75	14	12.5	11	9.5	7.5	5.5	3			
XG/1A	0.75	14	12.5	11	9.5	7.5	5.5	3			
XGm/1B	0.6	17.5	16	14.5	13	11	9	6.5	3.5	1	
XG/1B	0.6	17.5	16	14.5	13	11	9	6.5	3.5	1	

Dimensions



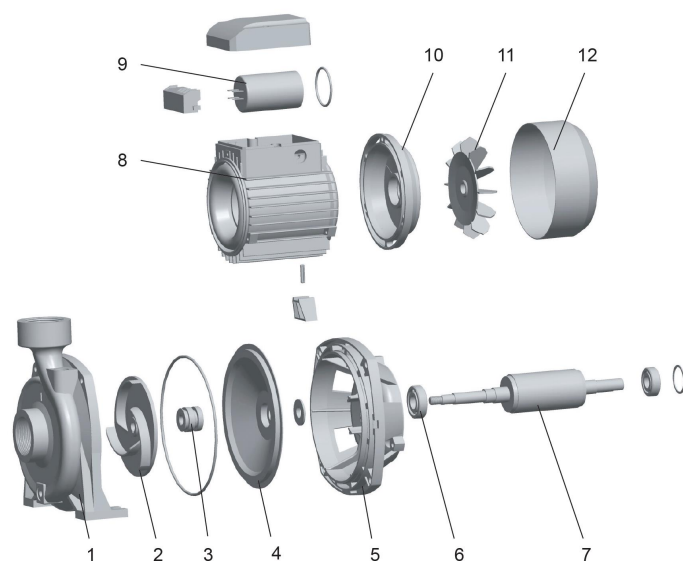
MODEL	DN1	DN2	L	W	H	L1	L2	W1	H1
XGm/1A	1½	1½	295	191	235	44	48	160	96.5
XG/1A	1½	1½	295	191	235	44	48	160	96.5
XGm/1B	1½	1½	295	191	235	44	48	160	96.5
XG/1B	1½	1½	295	191	235	44	48	160	96.5

Hydraulic performance



Exploded view

No.	Type	Materials
1	Pump body	cast iron HT200
2	Impeller	brass
3	Mechanical seal	carbon / ceramic
4	Pump bottom	AISI 304 stainless steel
5	Lantern	cast aluminum ZL102
6	Bearing	
7	Rotor	
8	Stator	
9	Capacitor	
10	Rear cover	cast aluminum ZL102
11	Fan	polypropylene
12	Fan cover	08F steel



Packaging

MODEL	Weight (kg)	Length L (mm)	Width W (mm)	Height H (mm)
XGm/1A	11.5	325	242	265
XG/1A	11.5	325	242	265
XGm/1B	13	325	242	265
XG/1B	13	325	242	265

