



Drainage pumps with “Double-Channel” impeller for pumping waste waters and liquids with suspended solids; ideal for civil and household applications. The single-phase version includes a built-in capacitor, a thermal protector and it can be equipped with a float switch.



Construction features

Painting cataphoresis

Pump body cast iron

Shell, motor cover, base support stainless steel



Impeller stainless steel

Mechanical seal

double seal with oil chamber: silicon carbide on pump side, ceramic-graphite on motor size

Motor shaft stainless steel AISI 430

Free passage Ø max 50 mm

Max submergence 5 m

Liquid temperature 0 - 40 °C

Cable H07 RN8F, 10 m

G float switch

Motor

3~ 400V - 50Hz

2 Poles induction motor

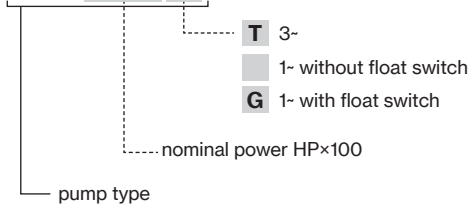
1~ 230V - 50Hz
(with thermal protection)

Insulation class F

Protection degree IPX8

TYPE	LOTS			
	TRUCK		CONTAINER	
	PALLET (cm)	N° pumps	PALLET (cm)	N° pumps
DB	80×120×160	51	80×120×160	51

DB 100 G



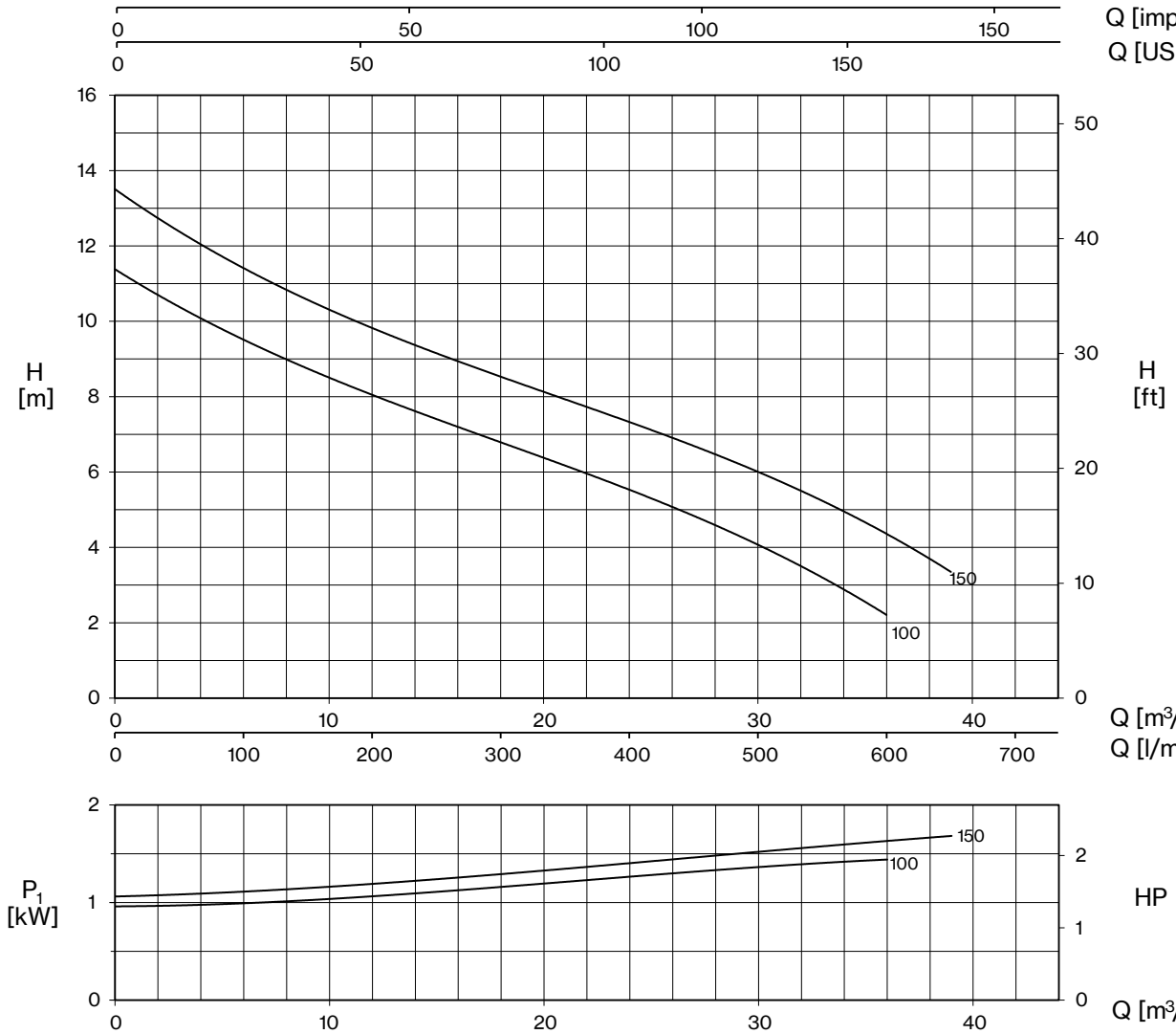
DB

Q [imp g.p.m.]
Q [US g.p.m.]

Q [m³/h]
Q [l/min]

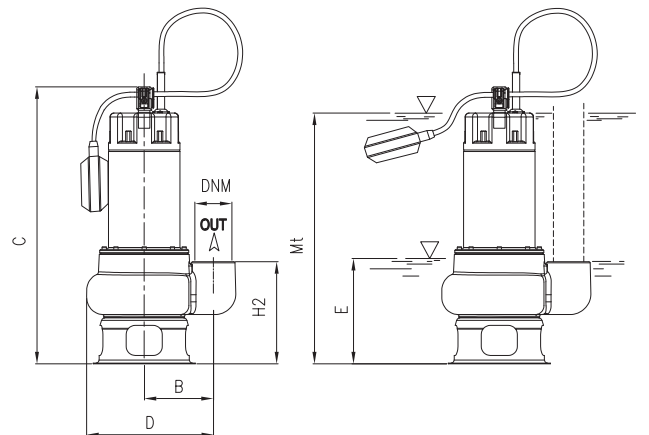
HP

Q [m³/h]



TYPE		W	AMPERE		Q (m³/h - l/min)							
1~	3~		1~ 230V 50 Hz	3~ 400V 50 Hz	0	6	12	18	24	30	36	39
					0	100	200	300	400	500	600	650
H (m)												
DB 100 (G)	DB 100T	1350	5,9	2,8	11,4	9,5	8,0	6,8	5,6	4,0	2,2	
DB 150 (G)	DB 150T	1700	8,0	3,0	13,6	11,5	9,8	8,5	7,3	6,0	4,3	3,4

E: maximum emptying level
Mt: minimum liquid level for continuous duty



TYPE	DIMENSIONS (mm)										Kg
	B	C	D	E	H2	Mt	DNM	I	L	M	
DB 100 (G)	142,5	461	247,5	185	170	390	2" G	200	260	470	17
DB 150 (G)	142,5	461	247,5	185	170	390	2" G	200	260	470	18,5