

※ For pools up to  
1080 m<sup>3</sup>



- ※ Robust electric pumps constructed with high-quality components and thick materials for extended durability and quiet operation.
- ※ Pre-filter equipped with a transparent cover for easy visual inspection, featuring an extra-large filter basket to reduce cleaning frequency.

- ※ Special anti-corrosion plastic base that provides stable support for the pump and piping.
- ※ High resistance to heat, chemicals, and salt corrosion.
- ※ Motor case with cathoporesis treatment
- ※ AISI 316 screws

### PERFORMANCE RANGE

- Flow rate up to **2400 l/min** (180 m<sup>3</sup>/h)
- Head up to **16 m**

### INSTALLATION AND USE

Self-priming pump with a built-in filter, designed for water circulation in residential swimming pools up to **1080 m<sup>3</sup>** in size.

### APPLICATION LIMITS

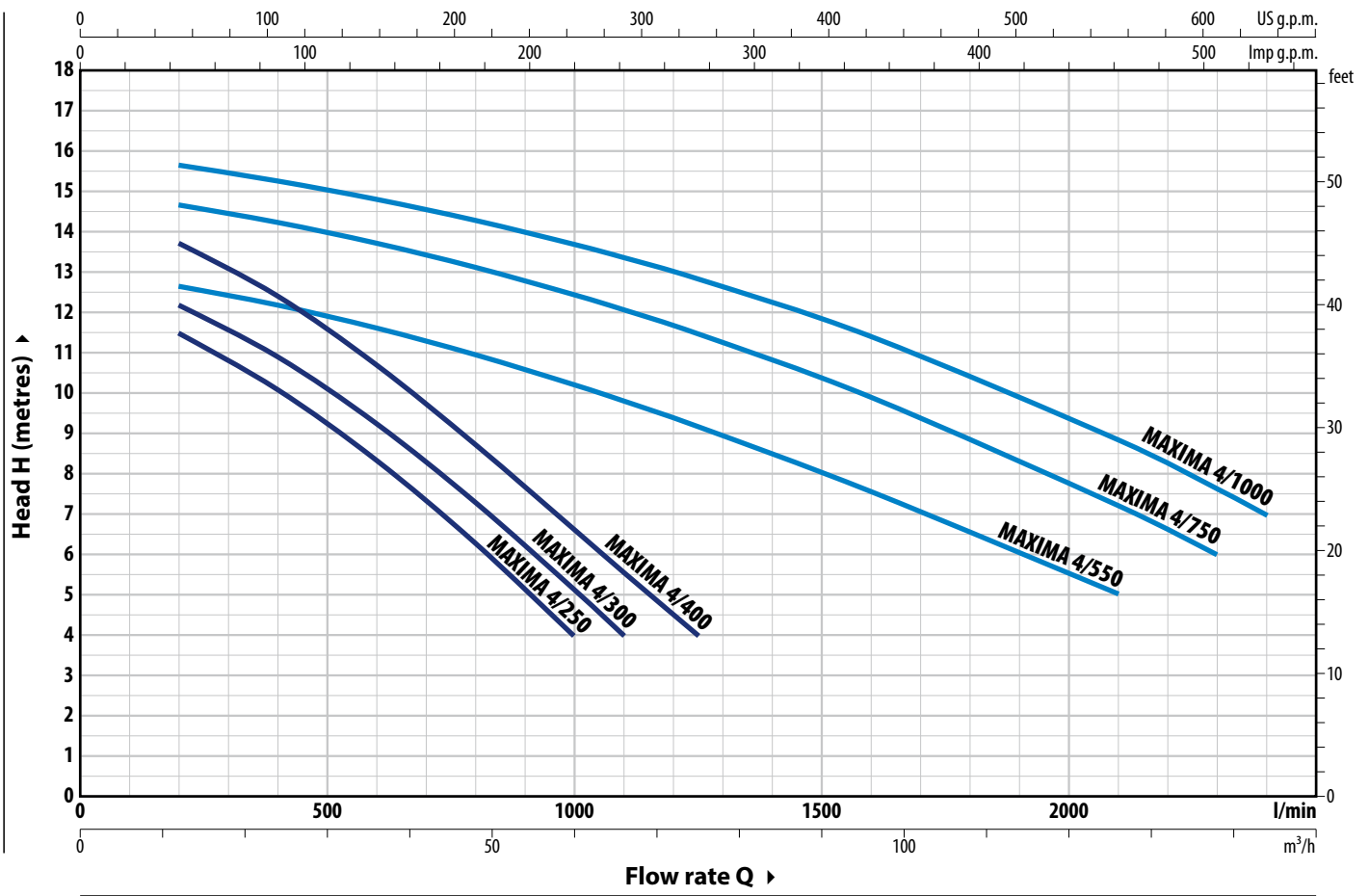
- Manometric suction head up to **4 m** (HS)
- Liquid temperature up to **+40 °C**
- Ambient temperature up to **+40 °C**
- Maximum working pressure **2.5 bar**
- Swimming pool water (pH 6.5 – 8.4).

### AVAILABLE UPON REQUEST

- ※ Bronze impeller

**CURVES AND PERFORMANCE DATA – HS=0 m**

**50 Hz - n= 1450 min<sup>-1</sup>**



TYPE	POWER (P <sub>2</sub> )		3~	Q	H metres														
	kW	HP			m <sup>3</sup> /h	0	12	36	48	60	66	75	96	126	138	144			
Three-phase				l/min	0	200	600	800	1000	1100	1250	1600	2100	2300	2400				
MAXIMA 4/250	1.8	2.5	IE3		12.5	11.5	8.4	6.3	4										
MAXIMA 4/300	2.2	3			13	12	9.2	7.3	5	4									
MAXIMA 4/400	3	4			14.5	13.5	10.7	8.7	6.6	5.6	4								
MAXIMA 4/550	4	5.5			13	12.5	11.6	11	10.2	9.8	9	7.5	5						
MAXIMA 4/750	5.5	7.5			15	14.5	13.7	13	12.4	12	11.5	10	7.2	6					
MAXIMA 4/1000	7.5	10			16	15.5	14.8	14.3	13.7	13.4	12.8	11.4	8.8	7.6	7				

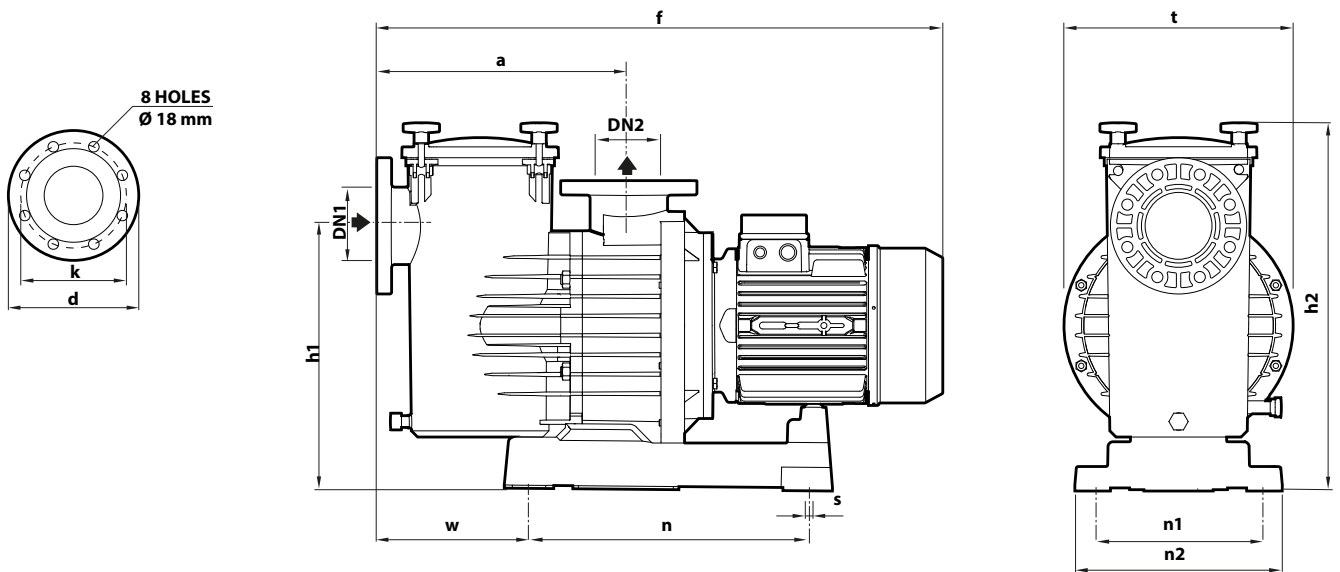
Q = Flow rate H = Total manometric head HS = Suction height

Performance curves comply with EN ISO 9906 Grade 3B tolerance limits.

### ABSORPTION

TYPE	VOLTAGE			
	230 V - $\Delta$	400 V - $\Delta$	400 V - $\Delta$	690 V - $\Delta$
<b>MAXIMA 4/250</b>	8.1 A	4.7 A	-	-
<b>MAXIMA 4/300</b>	7.8 A	4.5 A	-	-
<b>MAXIMA 4/400</b>	11.2 A	6.5 A	-	-
<b>MAXIMA 4/550</b>	15.6 A	9.0 A	-	-
<b>MAXIMA 4/750</b>	-	-	12.5 A	7.2 A
<b>MAXIMA 4/1000</b>	-	-	14.5 A	8.4 A

### DIMENSIONS AND WEIGHT



TYPE	PORTS		DIMENSIONS mm												kg
	DN1	DN2	a	f	h1	h2	n	n1	n2	s	t	w	d	k	
<b>MAXIMA 4/250</b>	<b>110</b>	<b>110</b>	407	838	425	596	450	300	335	11	368	246	218	180	42.0
<b>MAXIMA 4/300</b>															42.5
<b>MAXIMA 4/400</b>															44.5
<b>MAXIMA 4/550</b>															53.4
<b>MAXIMA 4/750</b>															66.0
<b>MAXIMA 4/1000</b>															76.0

## MATERIALS AND COMPONENTS

<b>1 Pump body</b>	Glass-fibre reinforced polypropylene		
<b>2 Seal insert</b>	Glass-fibre reinforced polypropylene		
<b>3 Diffuser</b>	Glass-fibre reinforced polypropylene		
<b>4 Impeller</b>	Noryl™		
<b>5 Mechanical seal</b>	Seal	Shaft	Materials
	<b>AR-30</b>	Ø 30	Graphite / Alumina Oxide / NBR
<b>6 Motor shaft</b>	Stainless steel <b>AISI 316</b>		
<b>7 Electric motor</b>	<b>MAXIMA:</b> three-phase 230/400 V - 50 Hz up to 4 kW 400/690 V - 50 Hz 5.5 to 7.5 kW – Continuous running duty <b>S1</b> – Insulation: CLASS F – Protection rating: IP 55		
<b>8 O-Ring (OR)</b>	NBR		
<b>9 Cover</b>	Polycarbonate		
<b>10 Pre-filter</b>	Polypropylene		
<b>11 Closing knob</b>	Nylon		
<b>12 Base</b>	Noryl™		

