



INSTALLATION AND USE

Designed for pumping diesel/naphtha and clean water free from abrasive particles and non-corrosive liquids that do not harm the pump's components.

Their specific operating mechanism makes them an excellent solution when a compact self-priming pump is required or when the flow of the liquid is irregular or mixed with air.

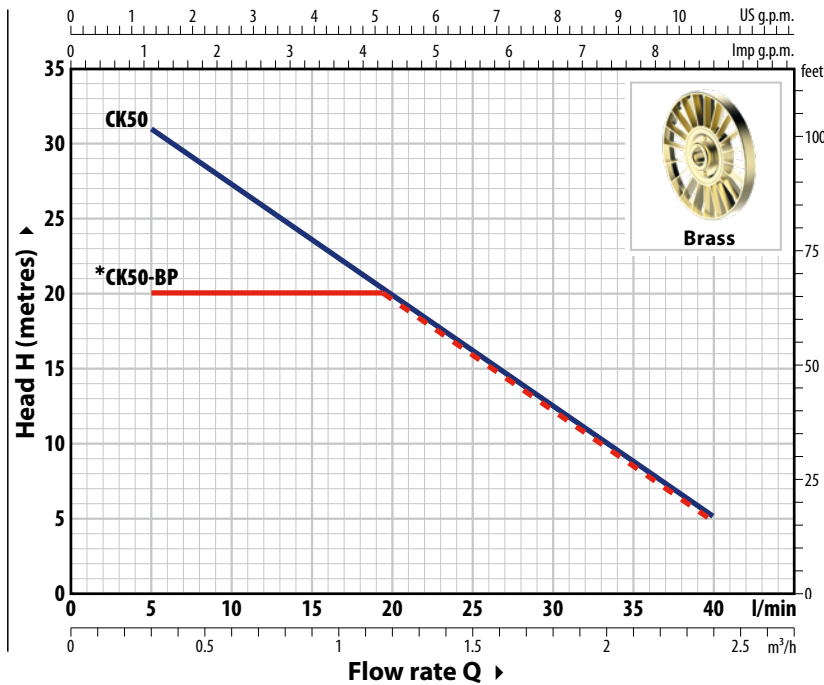
APPLICATION LIMITS

- Suction head up to **9 m (HS)**
- Liquid temperature between **-10 °C** and **+90 °C**
- Temperature for diesel/naphtha up to **+55 °C**
- Ambient temperature up to **+40 °C**
- Maximum working pressure **6 bar**

AVAILABLE UPON REQUEST

✘ Mechanical seal options available

CURVES AND PERFORMANCE DATA – HS=0 m 50 Hz



(*) CK 50-BP = performance curve with by-pass

ABSORPTION

TYPE	VOLTAGE
Single-ph.	230 V
CKm 50	3.0 A
CKm 50-BP	2.7 A

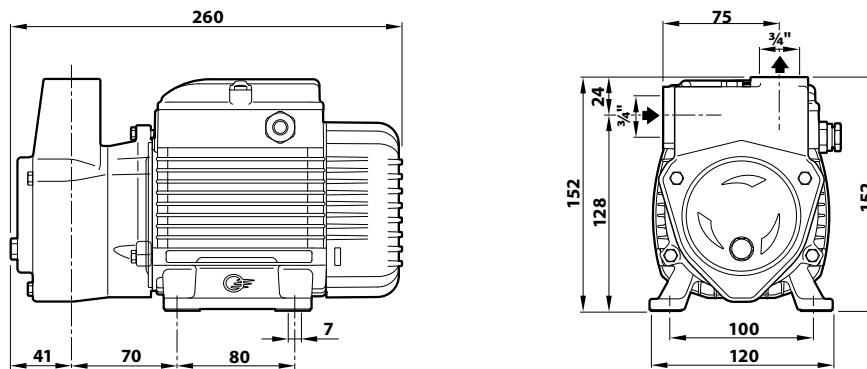
TYPE	VOLTAGE	
Three-ph.	230 V - Δ	400 V - Λ
CK 50	2.1 A	1.2 A
CK 50-BP	1.7 A	1.0 A

TYPE		POWER (P ₂)		1~	3~	Q	Flow rate																		
Single-ph.	Three-ph.	kW	HP				0	0.3	0.6	0.9	1.2	1.5	1.8	2.1	2.4										
CKm 50	CK 50	0.37	0.50	IE2	IE3	H metres	0	5	10	15	20	25	30	35	40	35	31	27	24	20	16	13	9	5	
CKm 50-BP	CK 50-BP	0.25	0.33				20	20	20	20	20	20	16	13	9	5									

Q = Flow rate H = Total manometric head HS = Suction height

Performance curves comply with EN ISO 9906 Grade 3B tolerance limits.

DIMENSIONS (mm)



TYPE		PORTS		WEIGHT (kg)		PALLET CAPACITY
Single-phase	Three-phase	DN1	DN2	1~	3~	
CKm 50	CK 50	3/4"	3/4"	7.3	7.3	160

CONSTRUCTION FEATURES

1 Pump body	Cast iron with ISO 228/1 threaded ports	
2 Motor bracket	Aluminium with brass cover with front anti-locking shim function (patented)	
3 Impeller	Brass with open radial vanes	
4 Mechanical seal	Type	Materials
	AR-12V	Ceramic / Graphite / Viton
5 Shaft	Stainless steel AISI 431	
6 Electric motor	CKm: single-phase 230 V - 50 Hz with winding integrated thermal motor protection. CK: three-phase 230/400 V - 50 Hz ※ Pumps are equipped with high-efficiency motors (IEC 60034-30-1) class IE2 for single-phase models class IE3 for three-phase models – Continuous running duty S1 – Insulation: class F – Protection rating: IP X4	

