

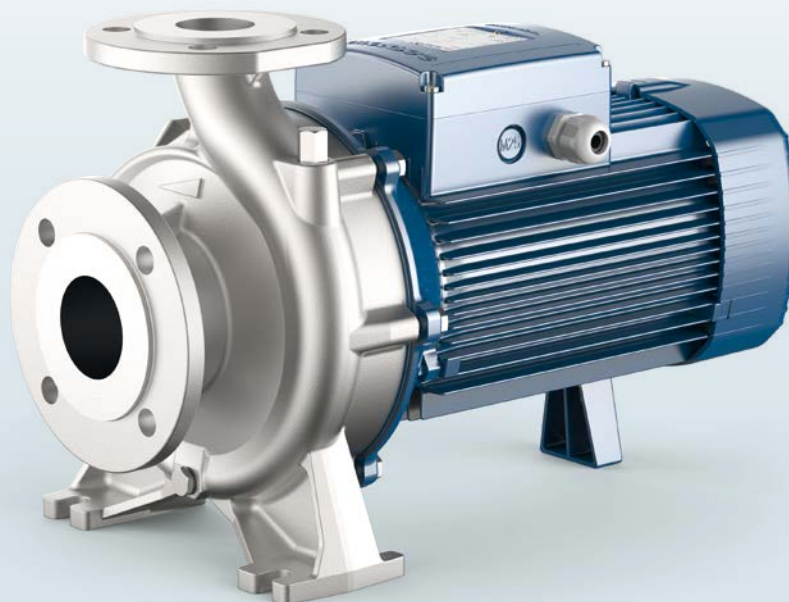


Clean water



Industrial use

※ Pump entirely made of
AISI 316 stainless steel



PERFORMANCE RANGE

- Flow rate up to **2200 l/min** (132 m³/h)
- Head up to **37 m**
- Power from **4 to 7.5 kW**

INSTALLATION AND USE

Designed to transfer clean water free from abrasive particles and liquids that will not damage the pump's components.

- Water supply
- Pressurization
- Irrigation
- Water circulation in air conditioning systems
- Power washing systems
- Firefighting systems
- Industrial applications
- Agriculture applications

ELECTRIC MOTOR

The three-phase pumps are equipped with newly developed electric motors designed to work with inverters, which guarantee stable and quiet operation.

Efficiency class **IE3** for three-phase motors, **IE2** for single-phase motors, class F insulation and IP55 protection.

APPLICATION LIMITS

- Manometric suction head up to **7 m**
- Liquid temperature between **-10 °C** and **+90 °C**
- Ambient temperature between **-10 °C** and **+40 °C**
- Maximum pressure in the pump body **10 bar** (PN10)

AVAILABLE UPON REQUEST

- ※ Mechanical seal options available
- ※ Different voltage requirements 60 Hz frequency
- ※ Handling of liquids with higher or lower temperatures
- ※ Adaptability to operate in high or low temperature environments

PERFORMANCE DATA

MEI ≥ 0.40 **50 Hz**

TYPE	POWER (P ₂)			PERFORMANCE					
	kW	HP	3~	Q l/min	H m	Q l/min	H m	Q l/min	H m
F 50/160C-I	4	5.5	IE3	300	27	800	20	1000	16
F 50/160B-I	5.5	7.5		300	32	900	26	1100	21
F 50/160A-I	7.5	10		300	37	900	32	1100	27
F 65/125C-I	4	5.5	IE3	600	16	1600	12.5	1800	11
F 65/125B-I	5.5	7.5		600	18	1800	14.5	1000	13
F 65/125A-I	7.5	10		600	23	1800	21	1100	18

Q = Flow rate H = Total manometric head HS = Suction height

Performance curves comply with EN ISO 9906 Grade 3B tolerance limits.

MATERIALS AND COMPONENTS

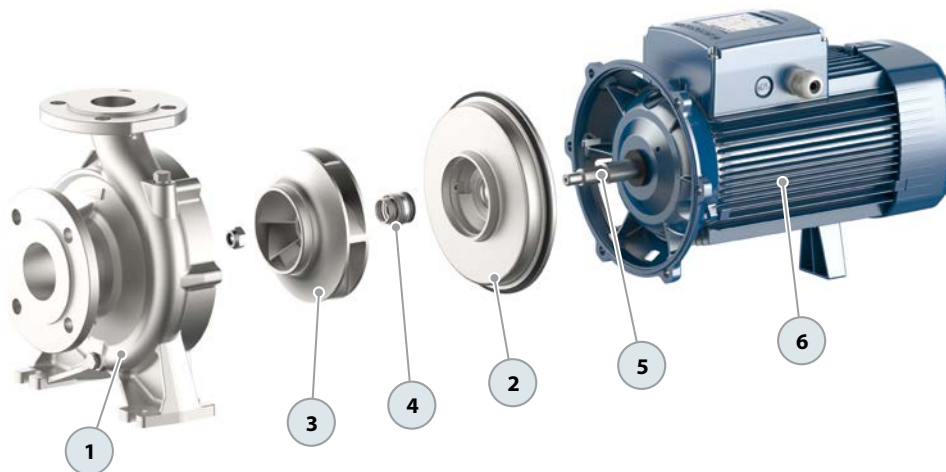
1	Pump body	Stainless steel AISI 316		
2	Cover	Stainless steel AISI 316		
3	Impeller	Stainless steel AISI 316		
4	Mechanical seal	Type FN-24SV	Shaft Ø 24 mm	Materials Silicon carbide / Silicon carbide / Viton
5	Motor shaft	Stainless steel AISI 316L		

6 Electric motor

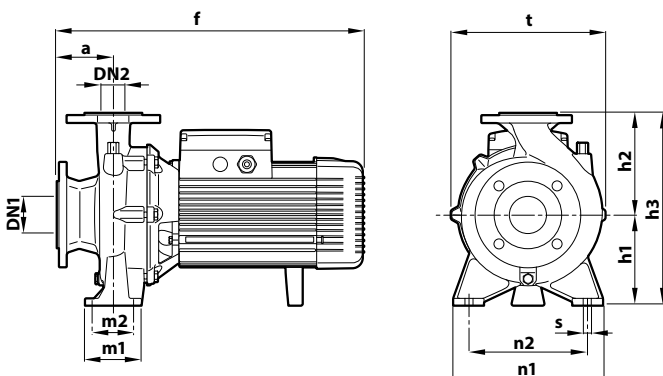
Three-phase 230/400 V - 50 Hz for 4 kW 400/690 V - 50 Hz 5.5 to 7.5 kW

※ The pumps are equipped with high-efficiency motors (IEC 60034-30-1) in class **IE3**

Continuous running duty **S1**



DIMENSIONS AND WEIGHT



ABSORPTION

TYPE	VOLTAGE			
	Three-phase 230 V - Δ	400 V - Δ	400 V - Δ	690 V - Δ
F 50/160C-I	15.7 A	9.1 A	-	-
F 50/160B-I	-	-	12.3 A	7.1 A
F 50/160A-I	-	-	15.5 A	9.0 A
F 65/125C-I	17.3 A	10.0 A	-	-
F 65/125B-I	-	-	12.0 A	6.9 A
F 65/125A-I	-	-	16.5 A	9.5 A

TYPE	PORTS		DIMENSIONS mm										kg 3~	
	DN1	DN2	a	f	h1	h2	h3	t	n1	n2	m1	m2		s
Three-phase														
F 50/160C-I	65	50	100	498	160	180	340	269	265	212	100	70	14	49.0
F 50/160B-I				548										55.0
F 50/160A-I				520										62.0
F 65/125C-I	570	58.2												
F 65/125B-I	80	65		520										58.2
F 65/125A-I			570	68.0										