

SAR 40

Lift and collection stations



INSTALLATION AND USE

The **SAR 40** lift and collection stations are designed to handle clear water, rainwater, and wastewater from household drains like washing machines, dishwashers, and sinks, especially in situations where connection to the main sewer system is impractical or impossible due to distance or gravity constraints.

The **SAR 40** stations are compact and easy to install in basements, single-residence garages, or even underground.


COMPONENTS INCLUDED

- ✘ **40 litres** polyethylene tank with a non-walkable and non-driveable cover.
- ✘ Single-phase submersible pump.
- ✘ Standard **5-metres** power cable .
- ✘ Swing check valve for models with drainage pumps only (for clear wastewater).

AVAILABLE UPON REQUEST

- ✘ **SAR 40 lift station, equipped with a single-phase submersible pump with a float switch, based on your specific requirements.**
- ✘ **10-metres** power cable.
- ✘ Full-flow check valve (for external installation) designed for vortex and grinder pumps.



✘ SAR 40 with grinder pump

TYPE	POWER (P ₂)		MAXIMUM FLOW RATE litres/min	PREVALENCE MAX metres	
	kW	HP			
TRITUS-TX	0.55	0.75	90	11.5	

✘ Suitable for sewage



✘ Start of production 06.2024

✘ SAR 40 with drainage pumps

TYPE	POWER (P ₂)		MAXIMUM FLOW RATE litres/min	PREVALENCE MAX metres	
	kW	HP			
TOP 1 -GM	0.25	0.33	160	6.0	
RXm 1 -GM	0.25	0.33	160	7.0	

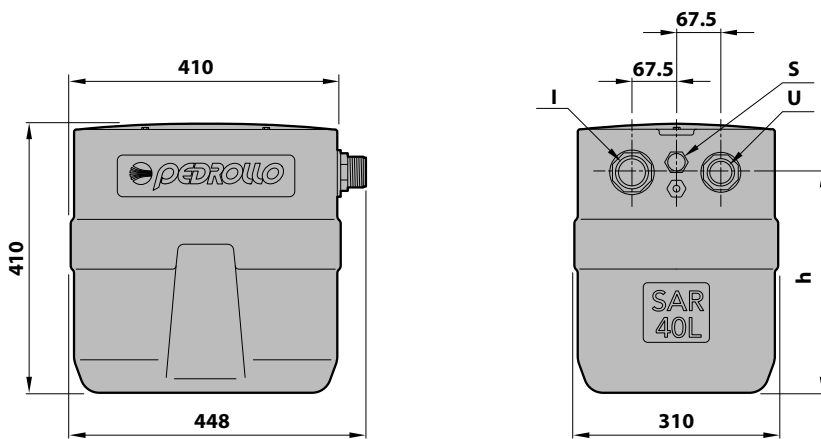
✘ Suitable for clear wastewater

✘ SAR 40 with vortex pumps

TYPE	POWER (P ₂)		MAXIMUM FLOW RATE litres/min	PREVALENCE MAX metres	
	kW	HP			
TOP 2 VORTEX-GM	0.37	0.50	155	7.0	
TEX 2	0.37	0.50	220	8.3	

✘ Suitable for dirty waste water

DIMENSIONS AND WEIGHT



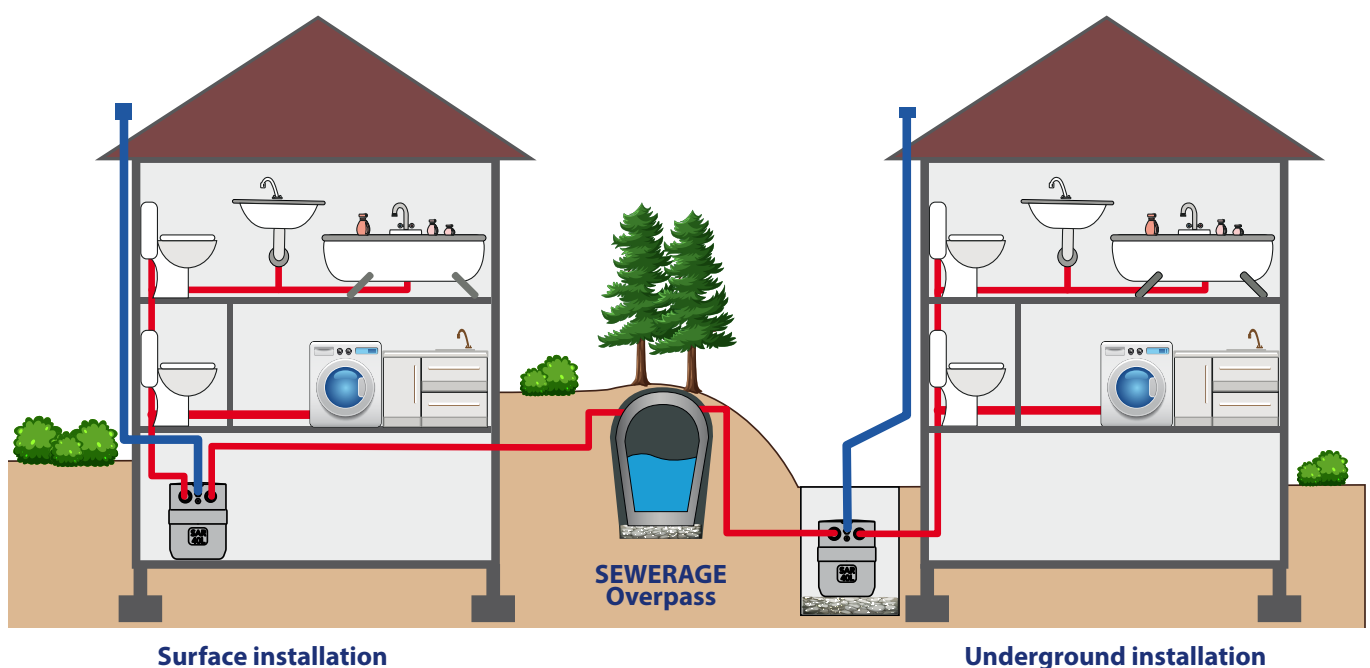
KEY:

- I** collection pipe connection
- U** discharge pipe connection
- S** ventilation pipe connection

TYPE	PORTS			h	kg
	I ⁽¹⁾	U ⁽¹⁾	S ⁽¹⁾		
SAR 40 - TRITUS-TX	1½"	1¼"	½"	335	15.9
SAR 40 - TOP 1-GM				305	14.3
SAR 40 - RXm 1-GM				305	15.2
SAR 40 - TOP 2 VORTEX-GM				335	14.4
SAR 40 - TEX 2				335	15.0

⁽¹⁾ Male threaded connection

EXAMPLES OF INSTALLATION



SAR 100

Lift and collection stations



INSTALLATION AND USE

SAR 100 lift and collection stations are designed to handle clear water, rainwater, and wastewater from household drains like washing machines, dishwashers, sinks, and toilets, especially in situations where connection to the main sewer system is impractical or impossible due to distance or gravity constraints.

The **SAR 100** stations are compact and easy to install either on the floor or underground, both inside and outside of single or two-family homes.




COMPONENTS INCLUDED

- ※ **100 litres** polyethylene tank with a non-walkable and non-driveable cover.
- ※ Single-phase submersible pump.
- ※ Standard **10-metres** power cable.
- ※ Electrical panel (only for **SAR 100-TIGm 1.1** and **1.3**)

AVAILABLE UPON REQUEST

- ※ **SAR 100 lift station, equipped with a single-phase submersible pump with a float switch, based on your specific requirements**

※ SAR 100 with drainage pumps

TYPE	POWER (P ₂)		MAXIMUM FLOW RATE litres/min	PREVALENCE MAX metres	
	kW	HP			
TOP 3	0.55	0.75	260	10.0	
RXm 3	0.55	0.75	220	11.5	
Dm 10	0.75	1.0	300	15.5	
Dm 20	0.75	1.0	250	19.0	

※ suitable for clear wastewater

※ SAR 100 with vortex pumps

TYPE	POWER (P ₂)		MAXIMUM FLOW RATE litres/min	PREVALENCE MAX metres	
	kW	HP			
TOP 3-VORTEX	0.55	0.75	170	8.2	
RXm 3/20	0.55	0.75	240	9.5	
ZXm 2/30	0.55	0.75	320	12.5	
VXm 10/35	0.75	1.0	400	10.0	

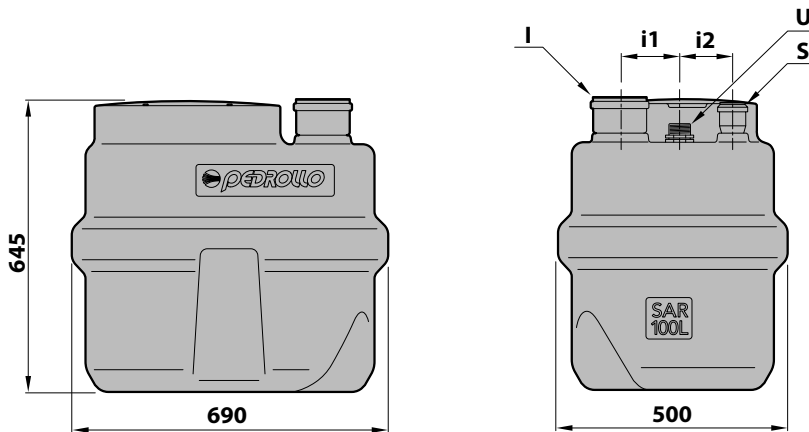
※ suitable for dirty waste water

※ SAR 100 with grinder pumps (TRITUS)

TYPE	POWER (P ₂)		MAXIMUM FLOW RATE litres/min	PREVALENCE MAX metres	
	kW	HP			
TIGm 0.55	0.55	0.75	130	14.5	
TIGm 0.75	0.75	1.0	140	17.5	
TIGm 1.1	1.1	1.5	150	22.5	
TIGm 1.3	1.3	1.75	250	20.5	

※ suitable for sewage water

DIMENSIONS AND WEIGHT



KEY:

- I collection pipe port
- U discharge pipe connection
- S ventilation pipe port

TYPE	PORTS			i1	i2	kg
	I	U ⁽¹⁾	S			
SAR 100 - TOP 3	DN 110	1¼"	DN 50	145	100	29.0
SAR 100 - RXm 3		1¼"				29.9
SAR 100 - Dm 10		1½"				36.3
SAR 100 - Dm 20		1½"				36.3
SAR 100 - TOP 3-VORTEX		1¼"				29.1
SAR 100 - RXm 3/20		1¼"				30.0
SAR 100 - ZXm 2/30		1½"				33.1
SAR 100 - VXm 10/35		1½"				37.5
SAR 100 - TIGm 0.55		1½"				38.2
SAR 100 - TIGm 0.75		1½"				38.3
SAR 100 - TIGm 1.1		1½"				40.6
SAR 100 - TIGm 1.3		1½"				40.6

⁽¹⁾ Male threaded connection

SAR 250

Lift and collection stations



INSTALLATION AND USE

SAR 250 lift and collection stations are designed to handle clear water, rainwater, and wastewater from household and civil drains like washing machines, dishwashers, sinks, and toilets, especially in situations where connection to the main sewer system is impractical or impossible due to distance or gravity constraints.

SAR 250 stations are compact and easy to install, suitable for floor or underground placement, both indoors and outdoors of multi-unit buildings.

COMPONENTS INCLUDED

- ✳ **SAR 250** polyethylene tank with a non-driveable cover that can support pedestrian traffic up to a maximum of 100 kg.
- ✳ Single-phase submersible pump.
- ✳ Electrical panel (only for **SAR 250-TIGm 1.1** and **1.3**).
- ✳ Standard **10-metres** power cable.

AVAILABLE UPON REQUEST

- ✳ **SAR 250 lift station, equipped with a single-phase submersible pump with a float switch, based on your specific requirements.**
- ✳ Three-phase submersible pump
- ✳ **Alarm kit** (Code: KSKIT-ALLARME) equipped with electrical panel, self-powered siren, and float
- ✳ **300 mm extension kit** (Code No. KSKIT-308MA) for installing the "SAR" tank at greater depths
- ✳ "SAR" Stations with check valve and ball valve in the discharge pipe.

✳ SAR 250 with drainage pumps

TYPE	POWER (P ₂)		MAXIMUM FLOW RATE litres/min	PREVALENCE MAX metres	
	kW	HP			
TOP 3	0.55	0.75	260	10.0	
TOP 4	0.75	1.0	320	12.5	
TOP 5	0.92	1.25	360	15.0	
RXm 3	0.55	0.75	220	11.5	
Dm 10	0.75	1.0	300	15.5	
Dm 20	0.75	1.0	250	19.0	
Dm 30	1.1	1.5	275	26.0	


✳ suitable for clear wastewater

✳ SAR 250 with VORTEX pumps

TYPE	POWER (P ₂)		MAXIMUM FLOW RATE litres/min	PREVALENCE MAX metres	
	kW	HP			
RXm 3/20	0.55	0.75	240	9.5	
ZXm 2/40	0.55	0.75	400	11	
VXm 10/35	0.75	1	400	10	
VXm 15/35	1.1	1.5	500	13.5	
VXm 15/50	1.1	1.5	650	11	

✳ suitable for dirty waste water

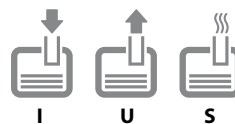
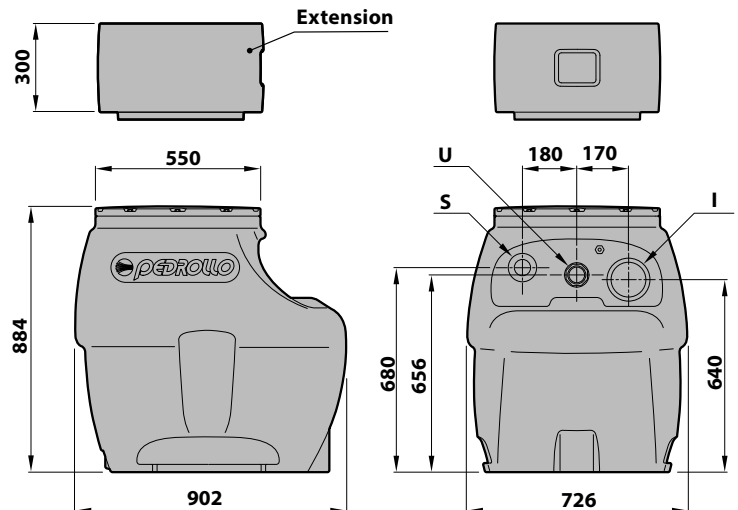
※ SAR 250 with grinder pumps (TRITUS)

TYPE	POWER (P ₂)		MAXIMUM FLOW RATE litres/min	PREVALENCE MAX metres	
	kW	HP			
TIGm 0.75	0.75	1.0	140	17.5	
TIGm 1.1	1.1	1.5	150	22.5	
TIGm 1.3	1.3	1.75	250	20.5	

※ suitable for sewage water

DIMENSIONS AND WEIGHT

TYPE	PORTS			kg
	I	U ⁽¹⁾	S	
SAR 250 - TOP 3	DN 110	1¼"	DN 50	49.7
SAR 250 - TOP 4		1½"		53.3
SAR 250 - TOP 5		1½"		54.3
SAR 250 - RXm 3		1¼"		50.6
SAR 250 - Dm 10		1½"		57.0
SAR 250 - Dm 20		1½"		57.0
SAR 250 - Dm 30		1½"		60.4
SAR 250 - RXm 3/20		1¼"		50.7
SAR 250 - ZXm 2/40		1½"		53.8
SAR 250 - VXm 10/35		1½"		58.2
SAR 250 - VXm 15/35		1½"		61.0
SAR 250 - VXm 15/50		2"		61.5
SAR 250 - TIGm 0.75		1½"		59.0
SAR 250 - TIGm 1.1		1½"		61.3
SAR 250 - TIGm 1.3		1½"		61.3



KEY:

- I** collection pipe port
- U** discharge pipe connection
- S** ventilation pipe port

⁽¹⁾ Male threaded connection

SAR 550

Lift and collection stations



INSTALLATION AND USE

The **SAR 550** lift and collection stations are designed to handle clear water, rainwater, or dirty water from civil and industrial drains, where the sewer network is too far away or not accessible by gravity.

The **SAR 550** stations are compact and easy to install on the floor or underground, both indoors and outdoors of residential buildings, offices, public establishments, courtyards, and parking facilities, for sewage or rainwater disposal.

COMPONENTS INCLUDED

- ✳ **550 litres** polyethylene tank with a non-driveable cover that can support pedestrian traffic up to a maximum of 100 kg.
- ✳ **Two single-phase pumps (without float switches) pre-installed and already connected to a control panel.**
- ✳ Standard **10-metres** power cable .
- ✳ Electrical panel (**E2** model).
- ✳ Three float switches with the following functions:
 - 1) Alternating activation of one of the two pumps
 - 2) Activation of the second pump at maximum level
 - 3) Shutdown of the pump at minimum level



AVAILABLE UPON REQUEST

- ✳ **SAR 550 lift station, equipped with two single-phase pumps, based on your specific requirements.**
- ✳ **Three-phase submersible pump.**

OPTIONAL



- ✳ **Alarm kit** (Code: KSKIT-ALLARME) equipped with electrical panel, self-powered siren, and float
- ✳ **300 mm extension kit** (Code No. KSKIT-308MA) for installing the "SAR" tank at greater depths
- ✳ "SAR" Stations with check valve and ball valve in the discharge pipe

✳ SAR 550 with drainage pumps

TYPE	POWER (P ₂)		MAXIMUM FLOW RATE [1] pump litres/min	PREVALENCE MAX metres	
	kW	HP			
TOP 4	0.75	1	320	12.5	
TOP 5	0.92	1.25	360	15	
Dm 10	0.75	1	300	15.5	
Dm 20	0.75	1	250	19	
Dm 30	1.1	1.5	275	26	

✳ **suitable for clear wastewater**

✳ SAR 550 with VORTEX pumps

TYPE	POWER (P ₂)		MAXIMUM FLOW RATE [1] pump litres/min	PREVALENCE MAX metres	
	kW	HP			
VXm 10/35	0.75	1	400	10	
VXm 15/35	1.1	1.5	500	13.5	
VXm 10/50	0.75	1	550	8.5	
VXm 15/50	1.1	1.5	650	11	
BCm 10/50	0.75	1	600	11	
BCm 15/50	1.1	1.5	750	14	

✳ **suitable for dirty waste water**

※ SAR 550 with grinder pumps (TRITUS)

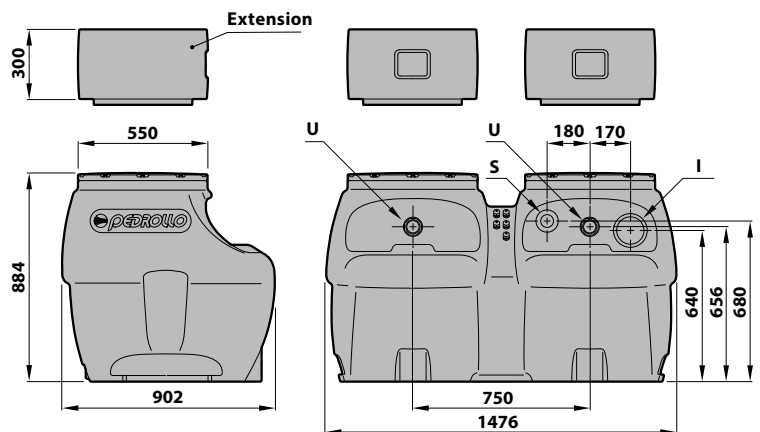
TYPE	POWER (P ₂)		MAXIMUM FLOW RATE [1] pump litres/min	PREVALENCE MAX metres	
	kW	HP			
TIGm 0.75	0.75	1	140	17.5	
TRm 0.9	0.9	1.25	170	15	
TRm 1.1	1.1	1.5	140	21.5	
TRm 1.3	1.3	1.75	220	22.5	
TRm 1.5	1.5	2	270	25	
TRm 2.2 AP	2.2	3	275	35	

※ suitable for sewage water

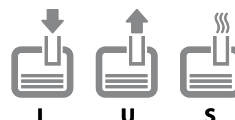
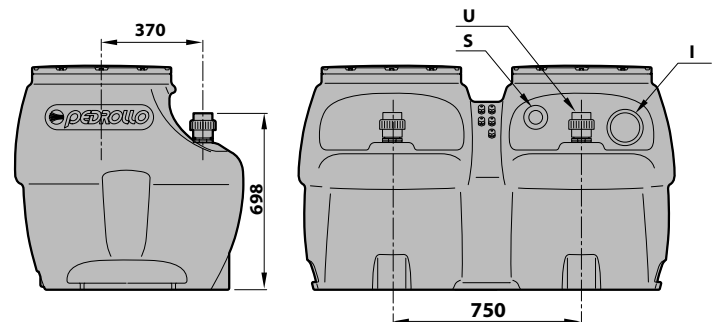
(*) On request "SAR" stations with coupling feet and guide pipes for pump descent

DIMENSIONS AND WEIGHT

TYPE	I	PORTS		kg
		U ⁽¹⁾	S	
SAR 550 - TOP 4	DN 110	1½"	DN 50	109.0
SAR 550 - TOP 5		1½"		110.9
SAR 550 - Dm 10		1½"		116.4
SAR 550 - Dm 20		1½"		116.4
SAR 550 - Dm 30		1½"		123.2
SAR 550 - VXm 10/35		1½"		118.8
SAR 550 - VXm 15/35		1½"	124.4	
SAR 550 - VXm 10/50		2	DN 75	119.8
SAR 550 - VXm 15/50		2		125.4
SAR 550 - BCm 10/50		2		120.8
SAR 550 - BCm 15/50		2		126.0
SAR 550 - TIGm 0.75		1½"		DN 50
SAR 550 - TRm 0.9	1¼"	136.4		
SAR 550 - TRm 1.1	1¼"	139.7		
SAR 550 - TRm 1.3	1¼"	139.4		
SAR 550 - TRm 1.5	1½"	178.4		
SAR 550 - TRm 2.2 AP	1½"	195.4		



Only for TR versions with coupling feet



KEY:

- I collection pipe port
- U discharge pipe connection
- S ventilation pipe port

⁽¹⁾ Male threaded connection