



※ Submersible pumps 4 poles (1450 min⁻¹)



PERFORMANCE RANGE

- Flow rate up to **5000 l/min** (300 m³/h)
- Head up to **28 m**

INSTALLATION AND USE

The **MC4** series is constructed from thick stainless steel and cast iron, offering exceptional robustness, abrasion resistance, and durability.

Equipped with a **TWO-CHANNEL** impeller, the pumps are designed to drain liquids containing suspended solids and short fibers, as well as **sewage, sludge-mixed water, groundwater, and surface water**. They are suitable for a wide range of applications, including apartment buildings, public facilities, industries, parking facilities, washing areas.

ELECTRIC MOTOR

※ **Electric motor with built-in three-phase thermal protection in the winding must be connected to the electrical panel.**

N.B. The warranty is valid if the thermal protection is connected to the electrical panel.

INCLUDES

- ※ Power cable length **10 m**

APPLICATION LIMITS

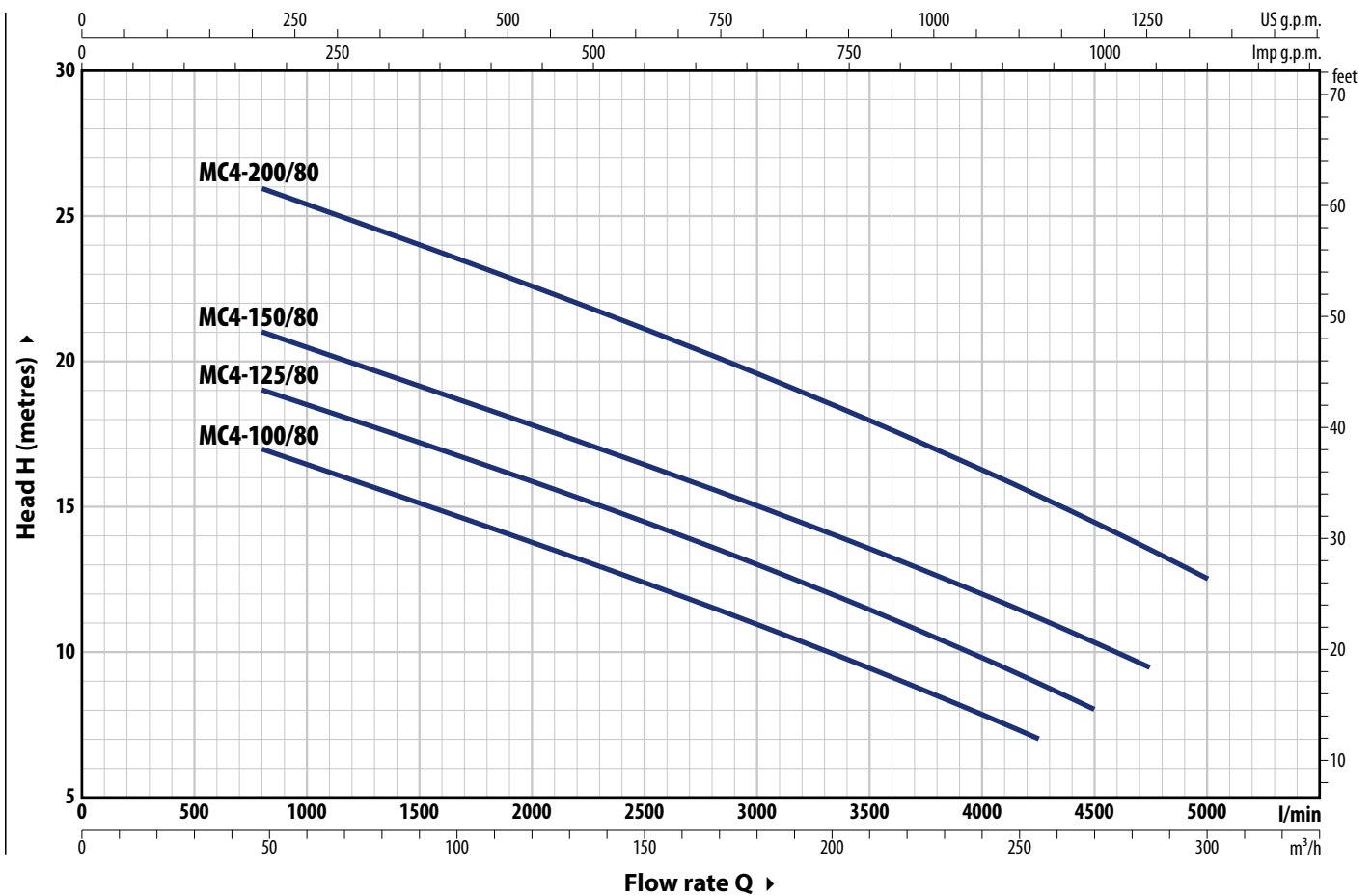
- Depth below water level up to **10 m** (with an appropriately sized power cable)
- Liquid temperature up to **+40 °C**
- Capable of processing suspended solids up to **Ø 80 mm**
- **For continuous service, the pump must not rise more than 290 mm**

AVAILABLE UPON REQUEST

- ※ Pumps equipped with internal probes that detect the presence of water in the oil chamber
- ※ Pumps with double cable for star/delta starting
- ※ Different voltage requirements 60 Hz frequency

CURVES AND PERFORMANCE DATA - n= 1450 min⁻¹

50 Hz



TYPE	POWER (P ₂)		Q	Flow rate											
	kW	HP		m ³ /h	0	48	60	120	180	240	255	270	285	300	
Three-phase			l/min	0	800	1000	2000	3000	4000	4250	4500	4750	5000		
MC4-100/80	7.5	10	H metres	19	17	16.4	13.7	11	7.8	7					
MC4-125/80	9.2	12.5		21	19	18.5	15.8	13	9.8	9	8				
MC4-150/80	11	15		23.5	21	20.7	18	15.2	12.1	11.3	10.4	9.5			
MC4-200/80	15	20		28	26	25.3	22.5	19.5	16.2	15.3	14.4	13.5	12.5		

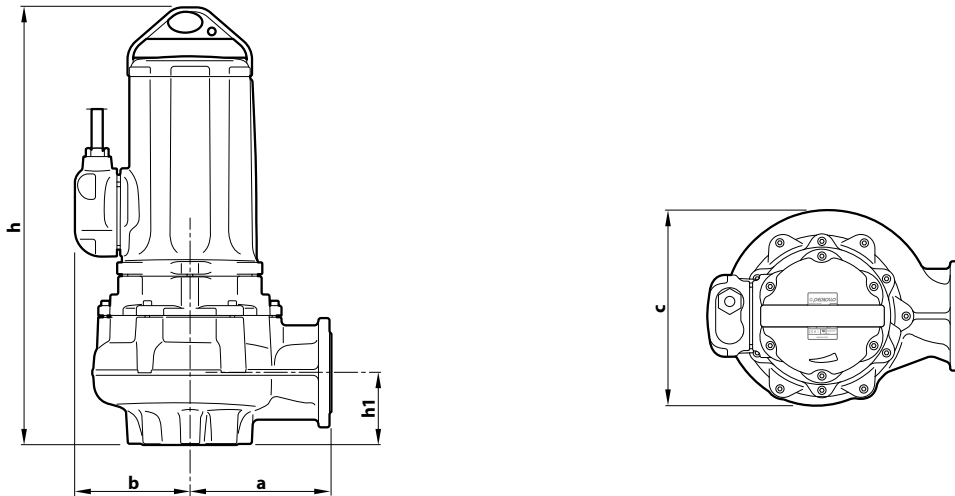
Q = Flow rate H = Total manometric head

Performance curves comply with EN ISO 9906 Grade 3B tolerance limits.

ABSORPTION

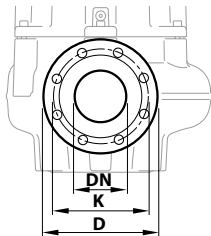
TYPE	VOLTAGE			
	230 V - Δ	400 V - ʌ	400 V - Δ	690 V - ʌ
MC4-100/80	29.4 A	17.0 A	17.0 A	9.8 A
MC4-125/80	34.6 A	20.0 A	20.0 A	11.6 A
MC4-150/80	38.1 A	22.0 A	22.0 A	12.7 A
MC4-200/80	49.3 A	28.5 A	28.5 A	16.5 A

DIMENSIONS AND WEIGHT



TYPE	Passage of solid bodies	DIMENSIONS mm					kg
		a	b	c	h	h1	
Three-phase	Ø 80 mm	285	228	395	858	130	3~
MC4-100/80							224
MC4-125/80							226
MC4-150/80							236
MC4-200/80							246

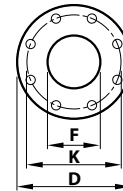
PORT FLANGE



TYPE	FLANGE DN	K mm	D mm	HOLES	
				N°	Ø (mm)
Three-phase	100 (PN10)	180	220	8	18
MC4-100/80					
MC4-125/80					
MC4-150/80					
MC4-200/80					

COUNTERFLANGE

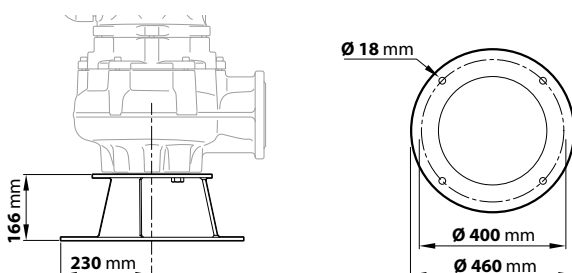
(CAN BE ORDERED SEPARATELY)



TYPE	FLANGE DN	F mm	K mm	D mm	HOLES	
					N°	Ø (mm)
Three-phase	100	4"	180	220	8	18
MC4-100/80						
MC4-125/80						
MC4-150/80						
MC4-200/80						

BASE

(CAN BE ORDERED SEPARATELY)



MATERIALS AND COMPONENTS

1 Pump body	Cast iron with cataphoresis treatment
2 Impeller	TWO-CHANNEL cast iron type with cataphoresis treatment
3 Motor holder	Cast iron
4 Motor cover	Cast iron
5 Motor shaft	Stainless steel AISI 431

6 Double mechanical seal with interposed oil chamber

Seal	Shaft	Location	Materials
MG1-43	Ø 43 mm	Motor side	Ceramic / Graphite / NBR
ARP-40	Ø 40 mm	Pump side	Silicon carbide/Silicon carbide/NBR

7 Electric Motor

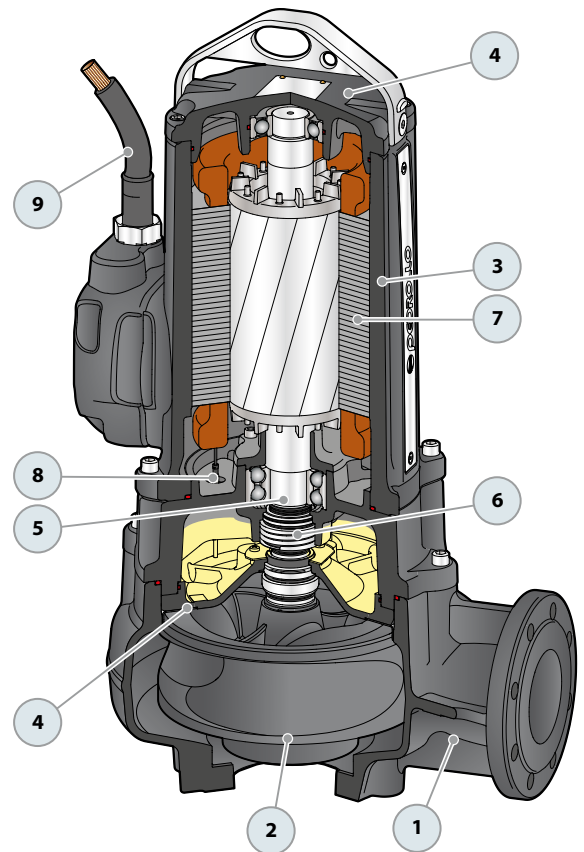
Three-phase 230/400 V - 50 Hz or 400/690 V - 50 Hz
with winding integrated thermal three-phase motor protection to be connected to the switchboard

- Insulation: class F
- Protection rating: IP X8

8 ✖ Probe for detecting water in the oil chamber

9 Power cord

✖ 10 metres 'EM2 quality' type



SEWAGE LIFTING SYSTEM VXC4 - MC4

VERSION WITH VERTICAL DELIVERY AND 2" GUIDE TUBES

For VXC4, MC4	Code ASSPVXC4V	DN 4"
----------------------	----------------	--------------

※ **Kit consisting of:**



Coupling foot complete with counterflange



Slide rail with screws and gasket



Support for guide tubes



ACCESSORIES AVAILABLE FOR ORDER

RUNNING GUIDE

※ For VXC4, MC4	Code ASSFL100
-----------------	---------------

Complete with screws and seals



INTERMEDIATE GUIDE TUBE SUPPORT

※ For guide tubes Ø 2"	Code 859SV349INTFA
------------------------	--------------------

For reasons of stability interpose a support every 3 metres



GUIDE TUBE (AISI 304 stainless steel)

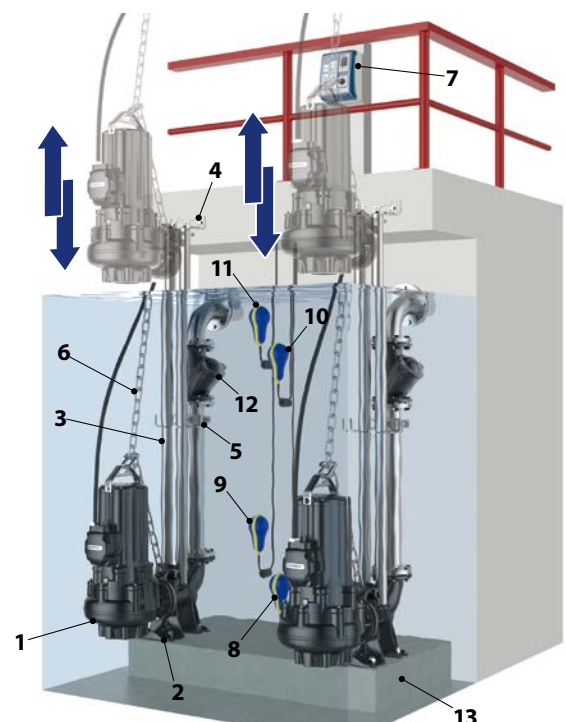
※ 3 metres Ø 2" guide tube	Code 54SARTG0063F
----------------------------	-------------------

※ 6 metres guide tube Ø 2"	Code 54SARTG0066F
----------------------------	-------------------

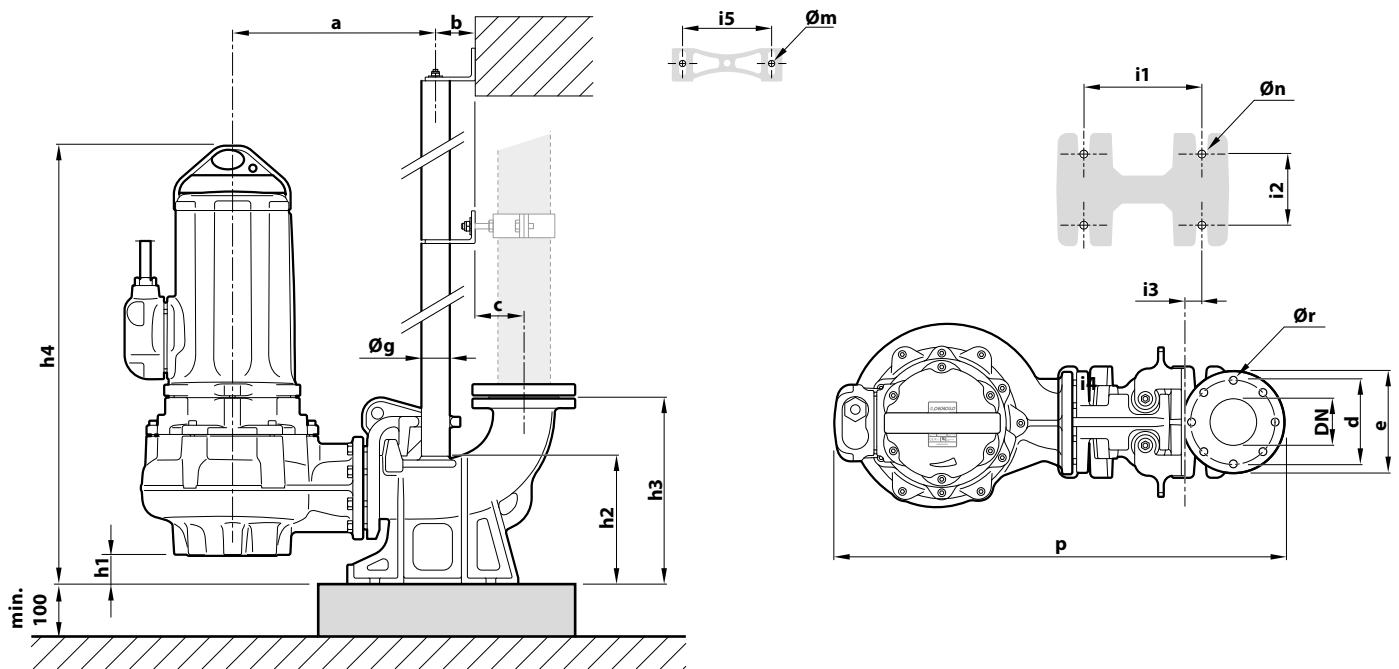


Typical installation

1. Water pump
2. Pump Base
3. Guide Rails
4. Upper Guide Rail Support
5. Intermediate Guide Rail Support
6. Lifting chain
7. Control Panel
8. Stop Float Switch
9. Start Float Switch
10. Supplementary pump start float switch
11. Alarm float
12. Check valve
13. Pump Pedestal



DIMENSIONS



TYPE	Passage of solid bodies mm	PORT DN	DIMENSIONS mm																		
			a	b	c	d	e	p	h1	h2	h3	h4	i1	i2	i3	i5	$\varnothing g$	$\varnothing m$	$\varnothing n$	$\varnothing r$	
Three-phase																					
VXC4 /80	$\varnothing 80$ mm	100	435	85.5	104.5	180	220	965	77	275	400	935	250	150	34	187	2"	13.5	22	18	
MC4 /80																					