



※ Submersible pumps 4 poles (1450 min⁻¹)



PERFORMANCE RANGE

- Flow rate up to **2900 l/min** (174 m³/h)
- Head up to **16 m**

INSTALLATION AND USE

The **MC4** series is constructed from thick stainless steel and cast iron, offering exceptional robustness, abrasion resistance, and durability. Equipped with a **TWO-CHANNEL** impeller, the pumps are designed to **drain liquids containing suspended solids and short fibers, as well as sewage**, sludge-mixed water, groundwater, and surface water.

They are suitable for a wide range of applications, including apartment buildings, public facilities, industries, parking facilities, washing areas.

ELECTRIC MOTOR

- ※ **The electric motor is safeguarded by a special three-phase thermal protector, situated within the motor, which activates in case of overheating or abnormal power consumption.**

INCLUDES

- ※ Power cable length **10 m**

APPLICATION LIMITS

- Depth below water level up to **10 m** (with an appropriately sized power cable)
- Liquid temperature up to **+40 °C**
- Capable of processing suspended solids up to **Ø 55 mm**
- **Minimum immersion for continuous service: 550 mm**

AVAILABLE UPON REQUEST

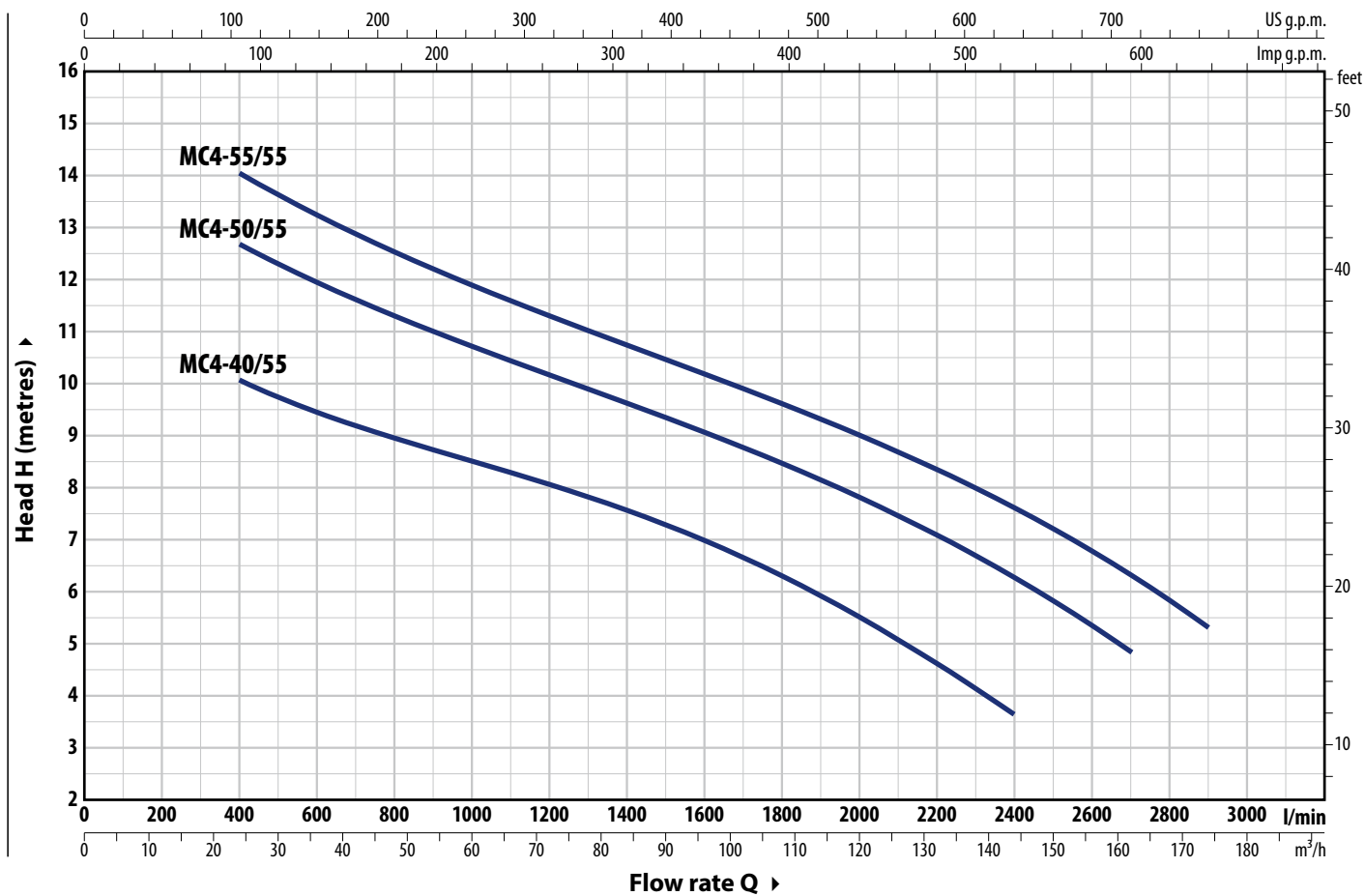
- ※ Pumps equipped with internal probes that detect the presence of water in the oil chamber

PATENTS - TRADE MARKS - MODELS

- Registered Community Model No. 003863158-0004

CURVES AND PERFORMANCE DATA – n= 1450 min⁻¹

50 Hz



| TYPE Three-phase | POWER (P ₂) | | Q | Flow rate | | | | | | | | | | | | | |
|---------------------|-------------------------|-----|----------|-------------------|------|------|------|------|------|------|------|------|------|------|-----|--|--|
| | kW | HP | | m ³ /h | 0 | 24 | 48 | 72 | 96 | 108 | 120 | 132 | 144 | 162 | 174 | | |
| | | | l/min | 0 | 400 | 800 | 1200 | 1600 | 1800 | 2000 | 2200 | 2400 | 2700 | 2900 | | | |
| MC4-40/55 | 3 | 4 | H metres | 12 | 10 | 9 | 8 | 7 | 6.3 | 5.5 | 4.6 | 3.6 | | | | | |
| MC4-50/55 | 3.7 | 5 | | 14.5 | 12.6 | 11.3 | 10 | 9 | 8.4 | 7.8 | 7 | 6.2 | 4.8 | | | | |
| MC4-55/55 | 4 | 5.5 | | 16 | 14 | 12.5 | 11.3 | 10.2 | 9.6 | 9 | 8.3 | 7.6 | 6.3 | 5.3 | | | |

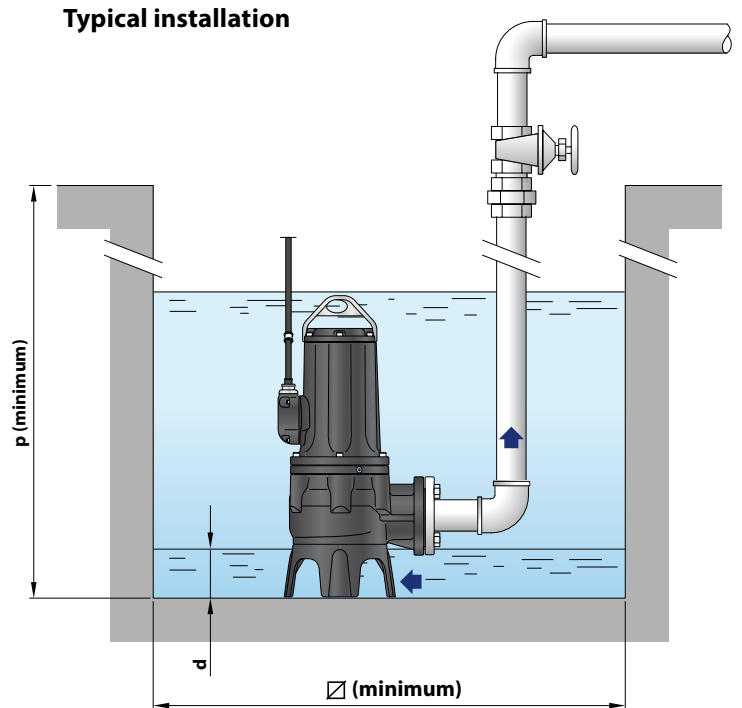
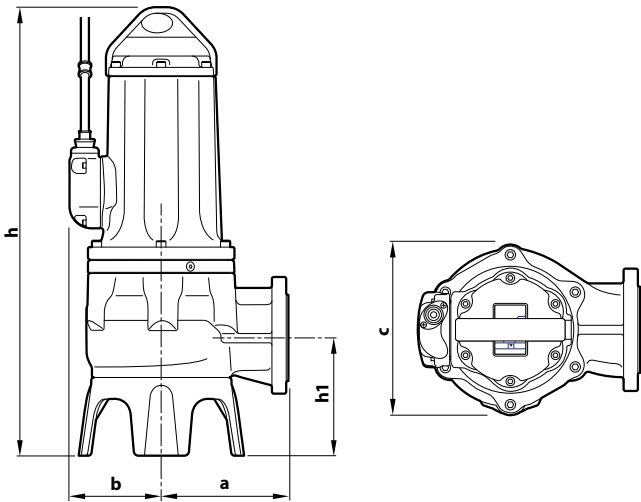
Q = Flow rate H = Total manometric head

Performance curves comply with EN ISO 9906 Grade 3B tolerance limits.

ABSORPTION

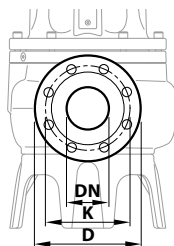
| TYPE Three-phase | VOLTAGE 400 V |
|---------------------|------------------|
| MC4-40/55 | 5.5 A |
| MC4-50/55 | 7.7 A |
| MC4-55/55 | 8.3 A |

DIMENSIONS AND WEIGHT



| TYPE | Passage of solid bodies | DIMENSIONS mm | | | | | | | | kg |
|--------------------|-------------------------|---------------|-----|-----|-----|-----|-----|------|------|-------|
| | | a | b | c | h | h1 | d | p | Ø | |
| Three-phase | | | | | | | | | | 3~ |
| MC4-40/55 | Ø 55 mm | 248 | 165 | 320 | 792 | 228 | 140 | 1000 | 1000 | 125.2 |
| MC4-50/55 | | | | | | | | | | 133.0 |
| MC4-55/55 | | | | | | | | | | 136.0 |

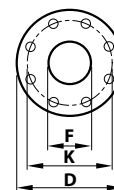
PORT FLANGE



| TYPE | FLANGE | K | D | HOLES | |
|--------------------|---------------------|-----------|-----------|-------|--------|
| | | | | N° | Ø (mm) |
| Three-phase | DN | mm | mm | | |
| MC4-40/55 | 80 (PN10) | 160 | 200 | 8 | 18 |
| MC4-50/55 | | | | | |
| MC4-55/55 | | | | | |

COUNTERFLANGE

(CAN BE ORDERED SEPARATELY)



| TYPE | FLANGE | F | K | D | HOLES | |
|--------------------|-----------|----|-----------|-----------|-------|--------|
| | | | | | N° | Ø (mm) |
| Three-phase | DN | | mm | mm | | |
| MC4-40/55 | 80 | 3" | 160 | 200 | 8 | 18 |
| MC4-50/55 | | | | | | |
| MC4-55/55 | | | | | | |

PALLET CAPACITY

| TYPE | NO. OF PUMPS |
|--------------------|--------------|
| Three-phase | |
| MC4-40/55 | 4 |
| MC4-50/55 | 4 |
| MC4-55/55 | 4 |

MATERIALS AND COMPONENTS

1 Pump body Cast iron with cathoresis treatment

2 Base Cast iron with cathoresis treatment

3 Impeller TWO-CHANNEL cast iron type with cathoresis treatment

4 Motor holder Cast iron with cathoresis treatment

5 Motor cover Cast iron with cathoresis treatment

6 Motor shaft Stainless steel **AISI 431**

7 Double mechanical seal with interposed oil chamber

| Seal | Shaft | Location | Materials |
|-----------------|---------|-------------------------|---|
| MG91-40D | Ø 40 mm | Motor side Pump side | Silicon carbide / Graphite / NBR Silicon carbide/Silicon carbide/NBR |

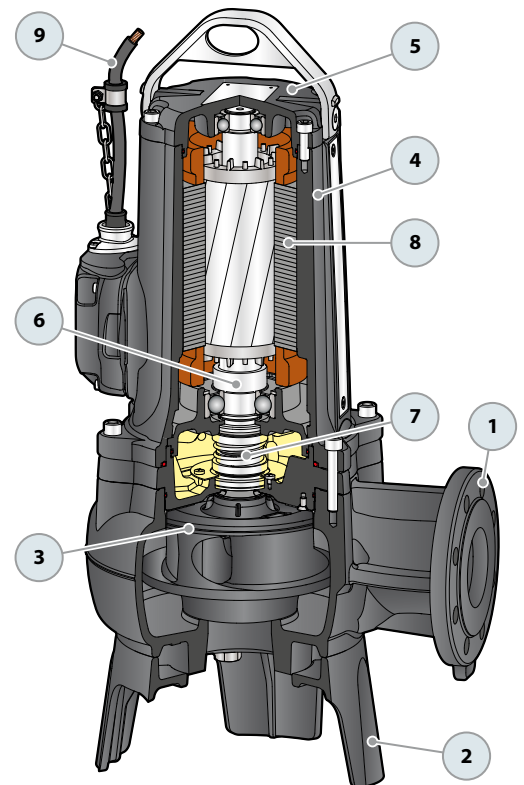
8 Electric motor

Three-phase 400 V - 50Hz
with winding integrated thermal motor protection

- Insulation: class F
- Protection rating: IP X8

9 Power cord

※ 10 metres 'H07 RN-F' type



SEWAGE LIFTING SYSTEM VXC4 - MC4

VERSION WITH VERTICAL DELIVERY AND 2" GUIDE TUBES

| | | |
|-----------------|----------------|--------------|
| For VXC4 | Code ASSPVXC4V | DN 4" |
| For MC4 | Code ASSPMC4V | DN 3" |

※ Kit consisting of:



Coupling foot complete with counterflange



Slide rail with screws and gasket



Support for guide tubes



ACCESSORIES AVAILABLE FOR ORDER

RUNNING GUIDE

| | |
|------------|---------------|
| ※ For VXC4 | Code ASSFL100 |
| ※ For MC4 | Code ASSFL080 |

Complete with screws and seals

INTERMEDIATE GUIDE TUBE SUPPORT

| | |
|------------------------|--------------------|
| ※ For guide tubes Ø 2" | Code 859SV349INTFA |
|------------------------|--------------------|

For reasons of stability, interpose a support every 3 metres (recommended)

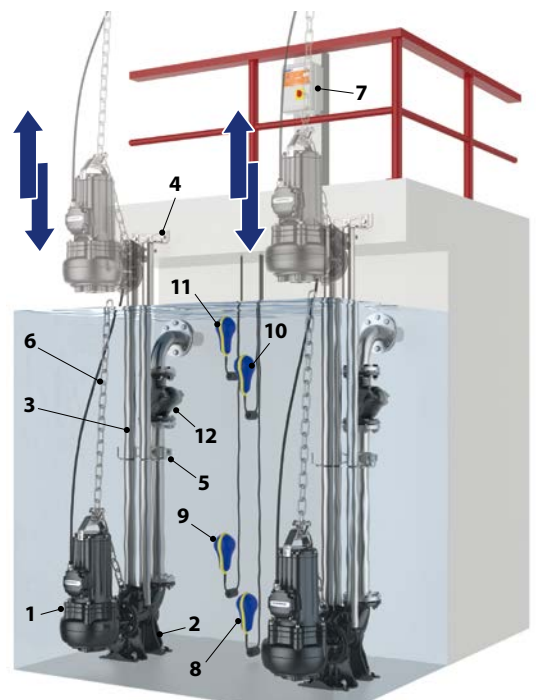
GUIDE TUBE (AISI 304 stainless steel)

| | |
|----------------------------|-------------------|
| ※ 3 metres Ø 2" guide tube | Code 54SARTG0063F |
| ※ 6 metres guide tube Ø 2" | Code 54SARTG0066F |

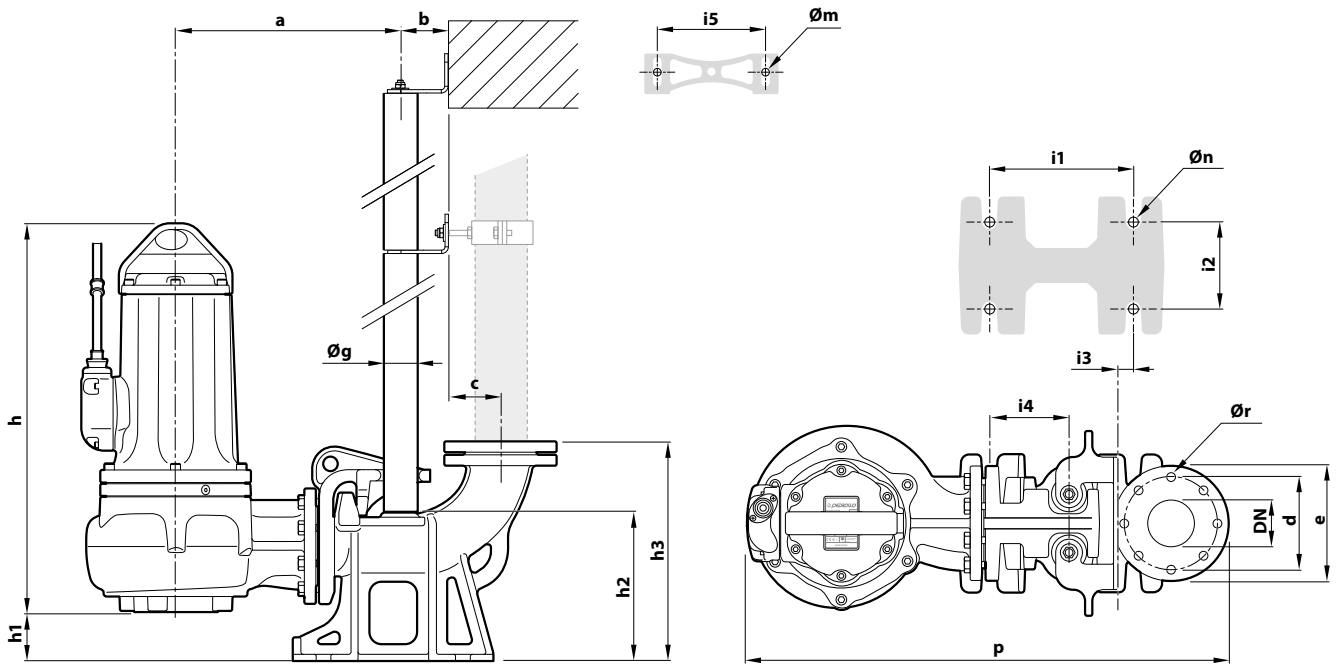


Typical installation

1. Water pump
2. Pump Base
3. Guide Rails
4. Upper Guide Rail Support
5. Intermediate Guide Rail Support
6. Lifting chain
7. Control Panel
8. Stop Float Switch
9. Start Float Switch
10. Supplementary pump start float switch
11. Alarm float
12. Check val



DIMENSIONS



| TYPE | Passage of solid bodies mm | PORT DN | DIMENSIONS mm | | | | | | | | | | | | | | | | | | | |
|--------------------|-------------------------------|------------|---------------|----|-----|-----|-----|-----|-----|-----|-----|-----|-----|-----|----|-----|-----|----|----|----|----|--|
| | | | a | b | c | d | e | p | h | h1 | h2 | h3 | i1 | i2 | i3 | i4 | i5 | Øg | Øm | Øn | Ør | |
| Three-phase | | | | | | | | | | | | | | | | | | | | | | |
| VXC4-40/100 | Ø 100 mm | 4" | 376 | 85 | 105 | 180 | 220 | 841 | 695 | 107 | 266 | 426 | 250 | 150 | 34 | 130 | 186 | 2" | 13 | 16 | 18 | |
| VXC4-50/100 | | | | | | | | | | | | | | | | | | | | | | |
| VXC4-55/100 | | | | | | | | | | | | | | | | | | | | | | |

| TYPE | Passage of solid bodies mm | PORT DN | DIMENSIONS mm | | | | | | | | | | | | | | | | | | | |
|--------------------|-------------------------------|------------|---------------|----|----|-----|-----|-----|-----|----|-----|-----|-----|-----|----|-----|-----|----|----|----|----|--|
| | | | a | b | c | d | e | p | h | h1 | h2 | h3 | i1 | i2 | i3 | i4 | i5 | Øg | Øm | Øn | Ør | |
| Three-phase | | | | | | | | | | | | | | | | | | | | | | |
| MC4-40/55 | Ø 55 mm | 3" | 396 | 85 | 95 | 160 | 200 | 841 | 680 | 92 | 256 | 592 | 250 | 150 | 34 | 130 | 186 | 2" | 13 | 16 | 18 | |
| MC4-50/55 | | | | | | | | | | | | | | | | | | | | | | |
| MC4-55/55 | | | | | | | | | | | | | | | | | | | | | | |