

TWO-CHANNEL

※ Experience high-efficiency, quality, and durability



-  Sewage
-  Domestic use
-  Civil use
-  Industrial use

※ Constructed entirely from micro-cast stainless steel, BC-MF submersible pumps offer superior corrosion and abrasion.

PERFORMANCE RANGE

- Flow rate up to **850 l/min** (51 m³/h)
- Head up to **17 m**

INSTALLATION AND USE

BC-MF stainless steel submersible pumps are designed to drain dirty and sewage water in domestic, civil, and industrial settings. Featuring a TWO-CHANNEL impeller, they can efficiently pump liquids containing suspended solids up to 50 mm in diameter with short fibers and handle wastewater, sewage, surface water, and sludge-mixed water in residential properties.

※ The hydraulic configuration of the volute and **TWO-CHANNEL** impeller results from advanced fluid dynamics calculations, delivering superior performance and efficiency for notable energy savings.

※ The **TWO-CHANNEL** impeller provides excellent performance and high energy efficiency, generating increased pressure for pumping solids up to **50 mm** in diameter, making it the best choice for wastewater drainage.

INCLUDES

- ※ Power cable length **10 m**
- ※ Float switch (exclusive to single-phase models)

APPLICATION LIMITS

- Depth below water level up to **5 m** (with an appropriately sized power cable)
- Liquid temperature up to **+40 °C**
- Capable of processing suspended solids up to **Ø 50 mm**
- **Minimum immersion for continuous service:**
 - **290 mm for BC 10/50-MF**
 - **330 mm for BC 15/50-MF**
 - **360 mm for BC 20/50-MF**

AVAILABLE UPON REQUEST

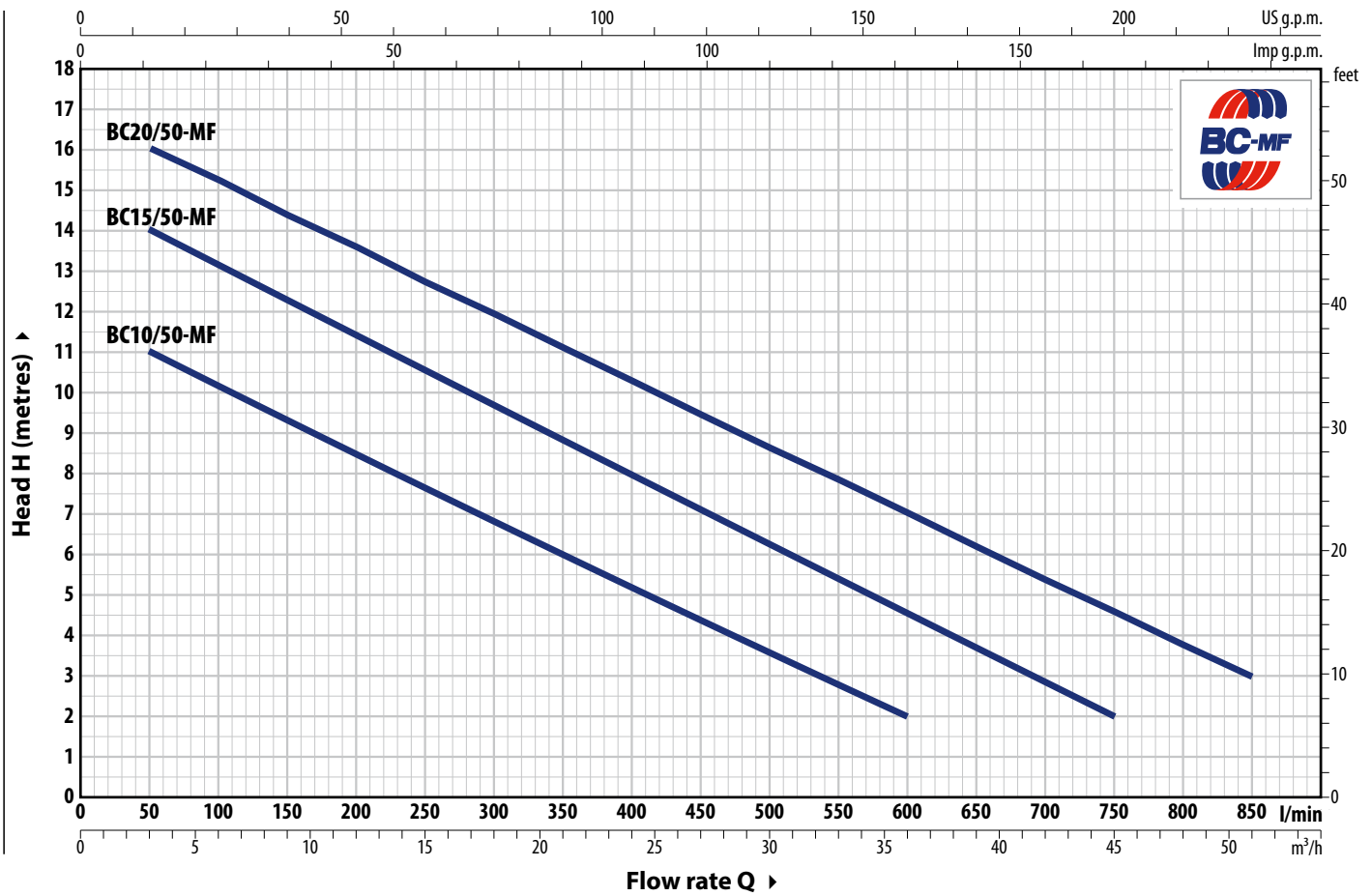
- ※ Different voltage requirements 60 Hz frequency

PATENTS - TRADE MARKS - MODELS

- Patent No. EP2313658
- Patent No. IT0001428923

CURVES AND PERFORMANCE DATA

50 Hz



TYPE		POWER (P ₂)		Q	Flow rate (l/min)										
Single-phase	Three-phase	kW	HP		0	3	6	12	18	24	30	36	42	45	51
BCm 10/50-MF	BC 10/50-MF	0.75	1	H metres	12	11	10	8.5	7	5	3.6	2			
BCm 15/50-MF	BC 15/50-MF	1.1	1.5		15	14	13	11.5	9.7	8	6.3	4.6	3	2	
BCm 20/50-MF	BC 20/50-MF	1.5	2		17	16	15.3	13.5	12	10.3	8.6	7.0	5.3	4.5	3

Q = Flow rate H = Total manometric head

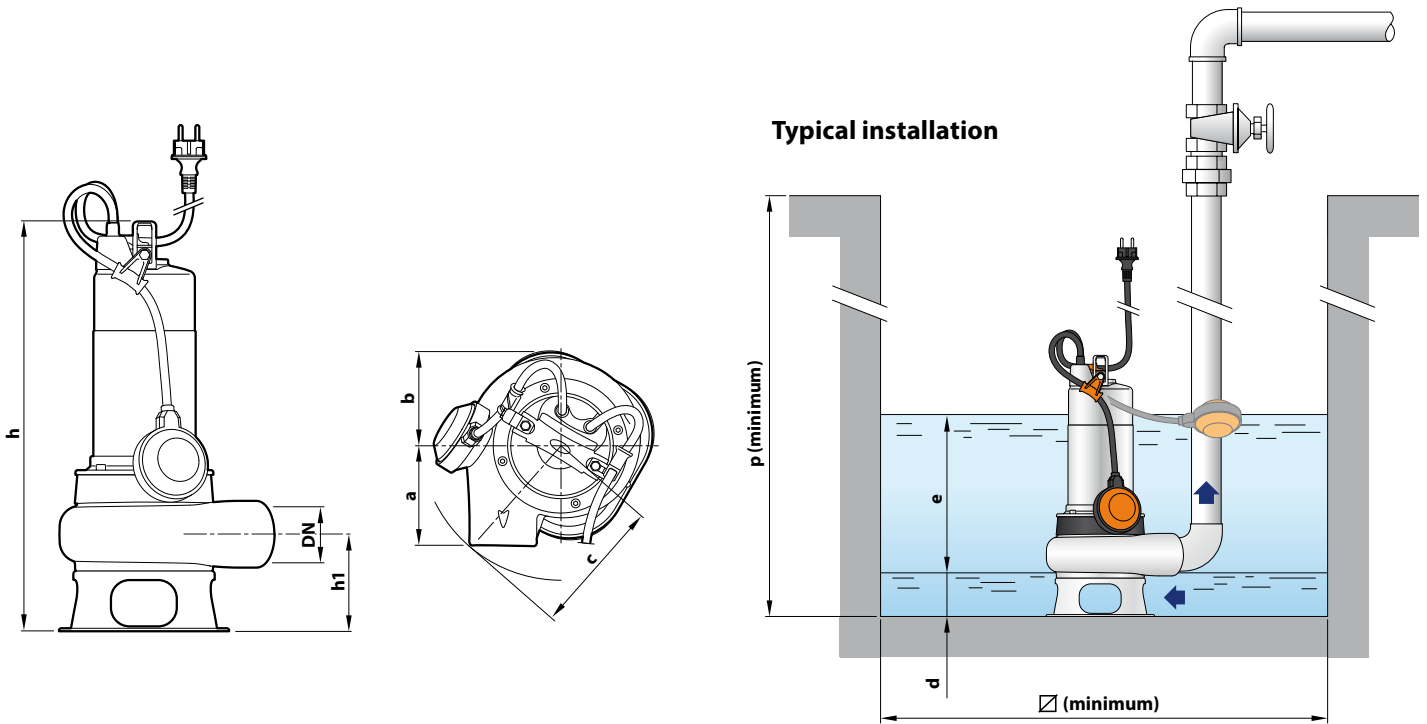
Performance curves comply with EN ISO 9906 Grade 3B tolerance limits.

ABSORPTION

TYPE	VOLTAGE
Single-phase	230 V
BCm 10/50-MF	5.5 A
BCm 15/50-MF	8.0 A
BCm 20/50-MF	10.0 A

TYPE	VOLTAGE
Three-phase	400 V
BC 10/50-MF	2.2 A
BC 15/50-MF	3.1 A
BC 20/50-MF	3.9 A

DIMENSIONS AND WEIGHT



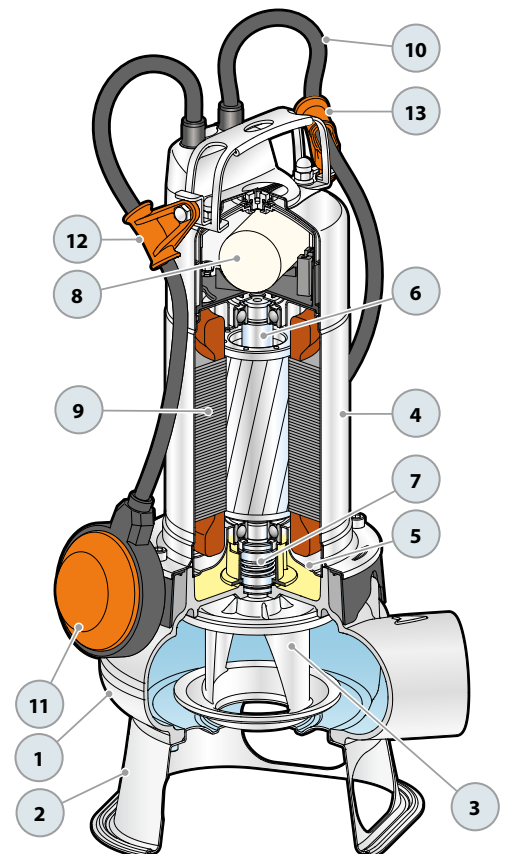
TYPE		PORT DN	Passage of solid bodies	DIMENSIONS mm										kg	
Single-phase	Three-phase			a	b	c	h	h1	d	e	p	□	1~	3~	
BCm 10/50-MF	BC 10/50-MF	2"	Ø 50 mm	102	95	145	450	107	60	adjustable	500	500	15.2	14.0	
BCm 15/50-MF	BC 15/50-MF						483						17.8	16.2	
BCm 20/50-MF	BC 20/50-MF						513						20.0	17.8	

PALLET CAPACITY

TYPE		NO. OF PUMPS
Single-phase	Three-phase	
BCm 10/50-MF	BC 10/50-MF	45
BCm 15/50-MF	BC 15/50-MF	30
BCm 20/50-MF	BC 20/50-MF	30

MATERIALS AND COMPONENTS

1 Pump body	Micro-cast AISI 316L stainless steel with ISO 228/1 threaded port												
2 Base	Stainless steel AISI 304												
3 Impeller	TWO-CHANNEL type in micro-cast AISI 304 stainless steel.												
4 Motor sleeve	Stainless steel AISI 304												
5 Motor cover	AISI 304 stainless steel for BC 10/50-MF Cast iron with cataphoresis treatment for BC 15/50-MF, BC 20/50-MF												
6 Motor shaft	Stainless steel AISI 316L												
7 Double mechanical seal in oil chamber	<table border="1"> <thead> <tr> <th>Seal</th> <th>Shaft</th> <th>Location</th> <th>Materials</th> </tr> </thead> <tbody> <tr> <td rowspan="2">MG1-14D SIC</td> <td rowspan="2">Ø 14 mm</td> <td>Motor side</td> <td>Silicon carbide / Graphite / NBR</td> </tr> <tr> <td>Pump side</td> <td>Silicon carbide/Silicon carbide/NBR</td> </tr> </tbody> </table>			Seal	Shaft	Location	Materials	MG1-14D SIC	Ø 14 mm	Motor side	Silicon carbide / Graphite / NBR	Pump side	Silicon carbide/Silicon carbide/NBR
Seal	Shaft	Location	Materials										
MG1-14D SIC	Ø 14 mm	Motor side	Silicon carbide / Graphite / NBR										
		Pump side	Silicon carbide/Silicon carbide/NBR										
8 Capacitor	(exclusive to single-phase models)												
9 Electric motor	<p>BCm-MF: single-phase 230 V - 50 Hz with winding integrated thermal motor protection</p> <p>BC-MF: three-phase 400 V - 50 Hz</p> <ul style="list-style-type: none"> - Insulation: class F - Protection rating: IP X8 												
10 Power cord	<p>Power cable encapsulated with epoxy resin both in the grommet area and where the conductors exit the sheath, for absolute insulation against moisture and water.</p> <p>Type 'H07 RN-F' (Schuko plug exclusive to single-phase models)</p> <p>※ Standard length 10 metres</p>												
11 Float switch	(exclusive to single-phase models)												
12 Tilting device for the float cable	(exclusive to single-phase models) Patent No. IT0001428923												
13 Power cable strain relief	Patent No. EP2313658												



SEWAGE LIFTING SYSTEM KIT VX-MF - BC-MF

VERSION WITH HORIZONTAL DELIVERY AND 3/4" GUIDE PIPES

For VX /35-MF	CODE ASSPVX35ST	DN 2"
Per VX /50-MF , BC /50-MF	CODE ASSPVX50ST	DN 2"

※ Kit consisting of:



Coupling foot



Solids rail with ring nut and seal



Support for guide tubes



VERSION WITH VERTICAL DELIVERY AND 3/4" GUIDE PIPES

For VX /35-MF	CODE ASSPVX35STV	DN 2 1/2"
For VX /50-MF , BC /50-MF	CODE ASSPVX50STV	DN 2 1/2"

※ Kit consisting of:



Coupling foot complete with counterflange



Solids rail with ring nut and seal



Support for guide tubes



● ACCESSORIES AVAILABLE FOR ORDER

RUNNING GUIDE

※ For VX /35-MF	CODE ASSFL005
※ For VX /50-MF , BC /50-MF	CODE ASSFL006

Complete with ring nut and gasket



GUIDE TUBE SUPPORT

※ For Ø 3/4 " guide tubes	CODE 859SV340INTFA
---------------------------	--------------------

To ensure stability, insert a support every 2 metres along the guide tube

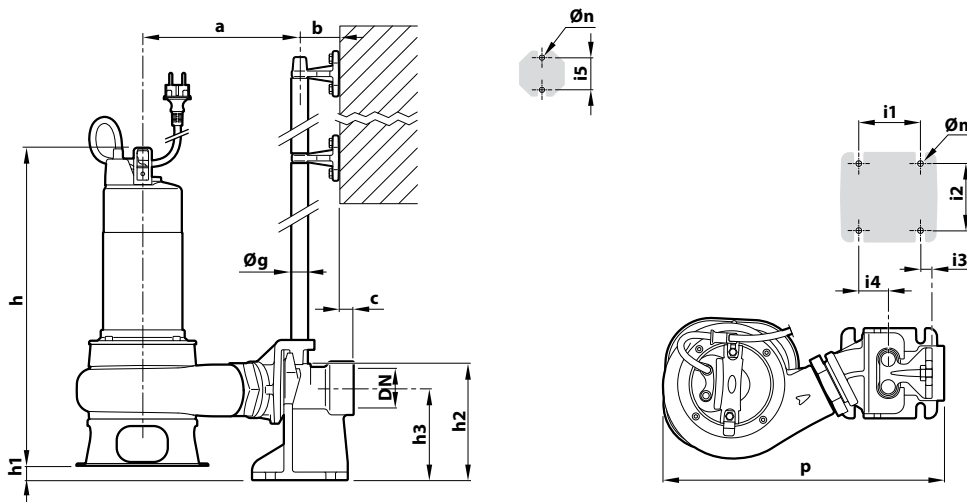


GUIDE TUBE (AISI 304 stainless steel)

※ 2 metres Ø 3/4" guide tube	CODE 54SARTG0052F
※ 3 metres Ø 3/4" guide tube	CODE 54SARTG0053F
※ 6 metres Ø 3/4" guide tube	CODE 54SARTG0056F

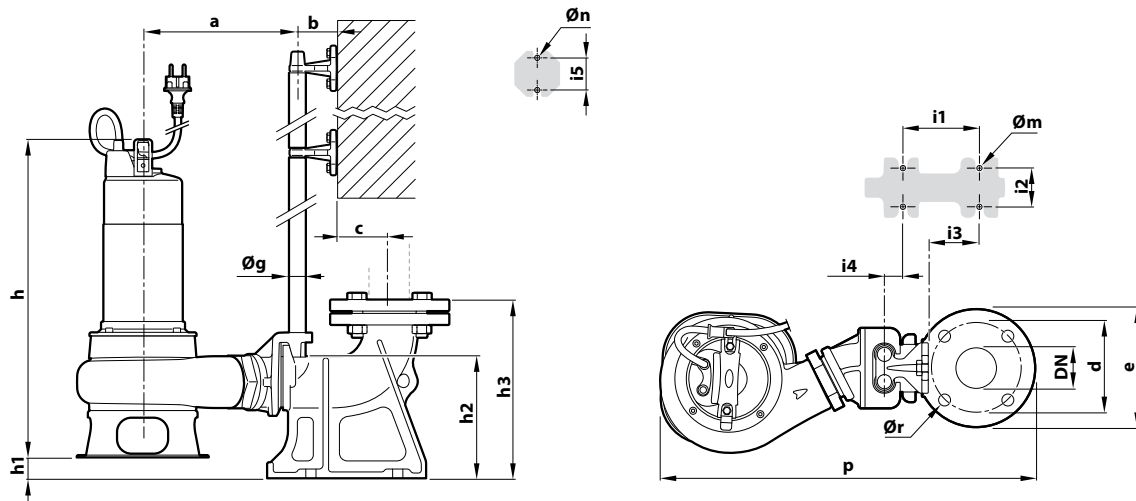


DIMENSIONS (Version with horizontal outlet)



TYPE		Passage of solid bodies mm	PORT DN	DIMENSIONS mm															
Single-phase	Three-phase			a	b	c	p	h	h1	h2	h3	i1	i2	i3	i4	i5	Øg	Øm	Øn
VXm 8/35 -MF	VX 8/35 -MF	40	2"	222			395	424	25										
VXm 10/35 -MF	VX 10/35 -MF							439											
VXm 15/35 -MF	VX 15/35 -MF							472											
VXm 20/35 -MF	VX 20/35 -MF							502											
VXm 8/50 -MF	VX 8/50 -MF	50	2"	226	61	17	398	435	23	165	130	85	94	16	40	50	¾"	12	11
VXm 10/50 -MF	VX 10/50 -MF							450											
VXm 15/50 -MF	VX 15/50 -MF							483											
VXm 20/50 -MF	VX 20/50 -MF							513											
BCm 10/50 -MF	BC 10/50 -MF	50	2"					450											
BCm 15/50 -MF	BC 15/50 -MF							483											
BCm 20/50 -MF	BC 20/50 -MF							513											

DIMENSIONS (Version with vertical delivery)



TYPE		Passage of solid bodies mm	PORT DN	DIMENSIONS mm																			
Single-phase	Three-phase			a	b	c	d	e	p	h	h1	h2	h3	i1	i2	i3	i4	i5	Øg	Øm	Øn	Ør	
VXm 8/35 -MF	VX 8/35 -MF	40	2½"	215					424	23													
VXm 10/35 -MF	VX 10/35 -MF								439														
VXm 15/35 -MF	VX 15/35 -MF								472														
VXm 20/35 -MF	VX 20/35 -MF								502														
VXm 8/50 -MF	VX 8/50 -MF	50	2½"	217	61	52	125	165	435	21	164	215	120	72	62	3	50	¾"	14	11	18		
VXm 10/50 -MF	VX 10/50 -MF								450														
VXm 15/50 -MF	VX 15/50 -MF								483														
VXm 20/50 -MF	VX 20/50 -MF								507														
BCm 10/50 -MF	BC 10/50 -MF	50	2½"						450														
BCm 15/50 -MF	BC 15/50 -MF								483														
BCm 20/50 -MF	BC 20/50 -MF								513														