

 Dirty water

 Domestic use

### ※ TOP-VORTEX

**Drainage pumps:  
reliable and durable**



### PERFORMANCE RANGE

- Flow rate up to **170 l/min** (10.2 m<sup>3</sup>/h)
- Head up to **8.7 m**

### INSTALLATION AND USE

**TOP-VORTEX** pumps are suitable for draining clear water without abrasive particles that will not damage the pump's components. Construction features ensure user-friendly and safe operation, including motor cooling and a double shaft seal.

These pumps are particularly well-suited for domestic applications, including draining dirty water, emptying tanks, managing domestic drains, and clearing sumps, even in the presence of suspended solids of up to 25 mm in diameter.

### APPLICATION LIMITS

- Maximum operating depth below water level up to **3 m** (with an appropriately sized power cable)
- Liquid temperature up to **+40 °C** and up to **+90 °C** for short bursts (up to 3 minutes max) for intermittent service
- Capable of processing suspended solids up to **Ø 25 mm**
- Draining capability up to **25 mm** from the bottom

### INCLUDES

- ※ **5 m** power cable
- ※ Float switch

### PATENTS - TRADE MARKS - MODELS

- Patent No. IT0001428923
- Registered Community Model No. 342159-0011

### AVAILABLE UPON REQUEST

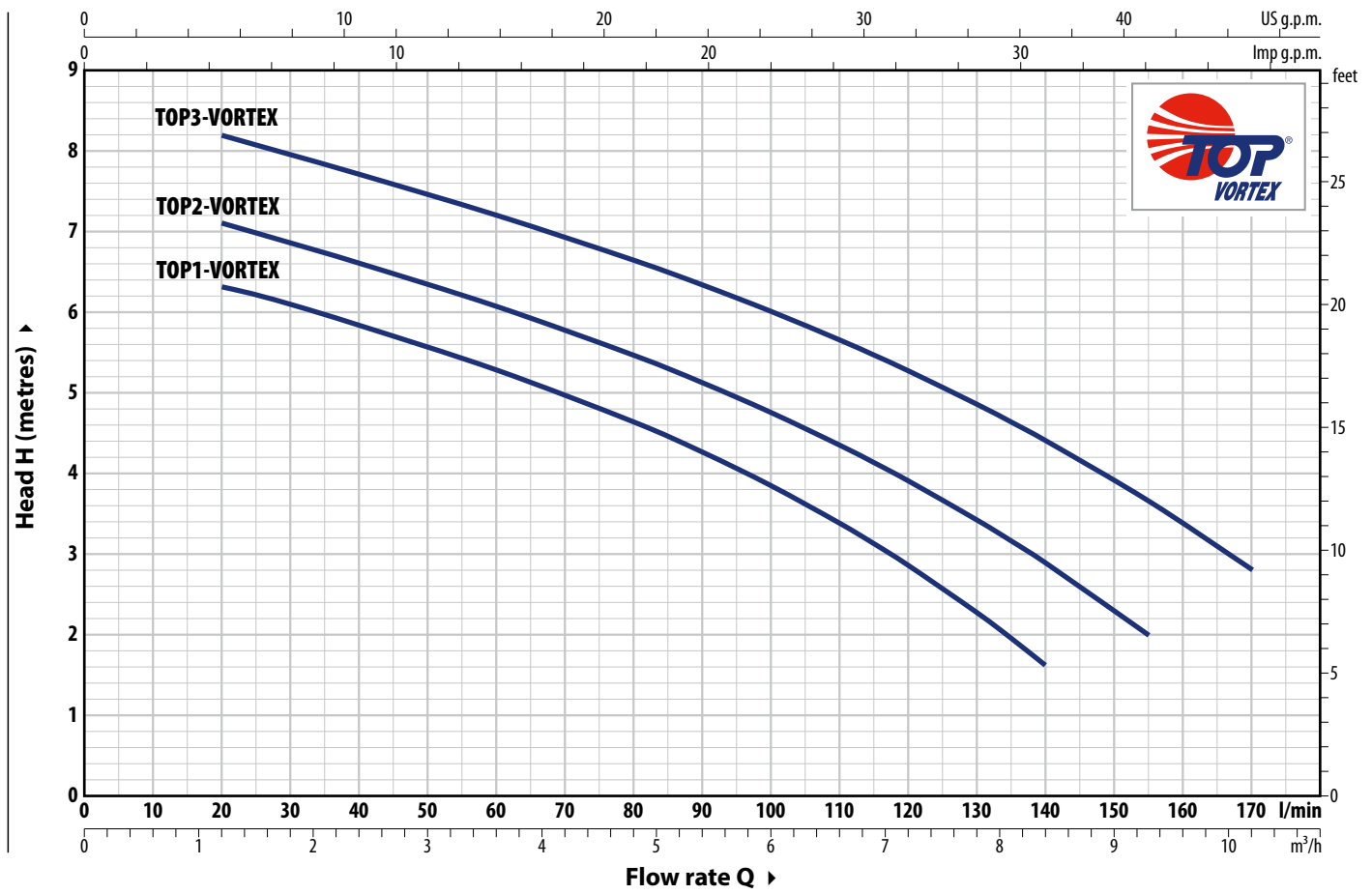
- ※ Mechanical seal options available
- ※ Pumps with **10 m** power cable
- ※ Different voltage requirements 60 Hz frequency
- ※ **TOP-VORTEX/GM** " pumps with magnetic float operation (suitable for small sumps)



※ **TOP-VORTEX/GM**

## CURVES AND PERFORMANCE DATA

50 Hz



TYPE Single-phase	POWER (P <sub>2</sub> )		Q	0	1.2	2.4	3.6	4.8	6.0	7.2	8.4	9.3	10.2
	kW	HP		0	20	40	60	80	100	120	140	155	170
TOP 1 - VORTEX	0.25	0.33	H metres	7	6.3	5.8	5.3	4.6	3.8	2.8	1.6		
TOP 2 - VORTEX	0.37	0.50		7.6	7	6.6	6	5.5	4.8	4	3	2	
TOP 3 - VORTEX	0.55	0.75		8.7	8.2	7.7	7.2	6.7	6	5.3	4.4	3.7	2.8

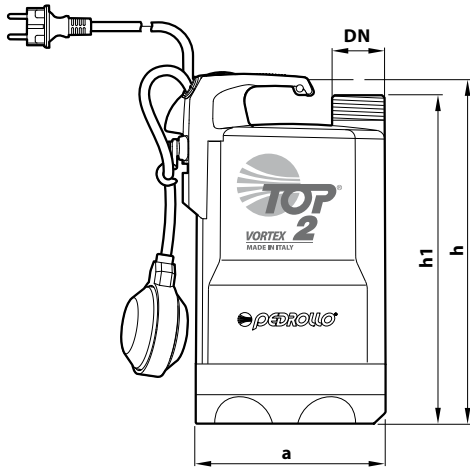
Q = Flow rate H = Total manometric head

Performance curves comply with EN ISO 9906 Grade 3B tolerance limits.

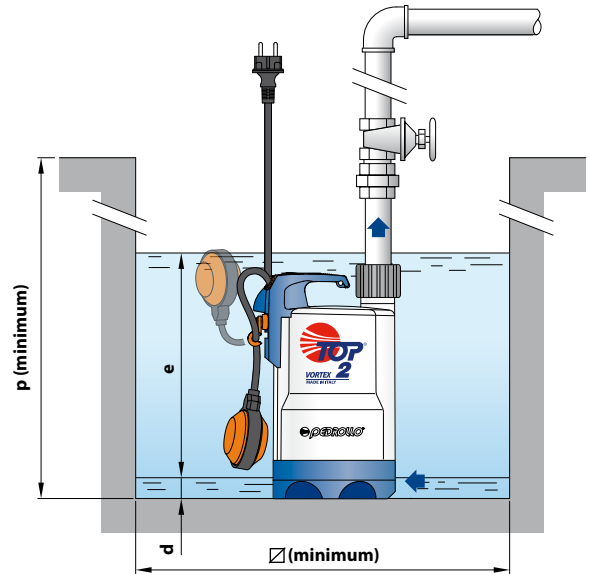
## ABSORPTION

TYPE Single-phase	VOLTAGE 230 V
TOP 1 - VORTEX	1.5 A
TOP 2 - VORTEX	2.0 A
TOP 3 - VORTEX	2.9 A

### DIMENSIONS AND WEIGHT

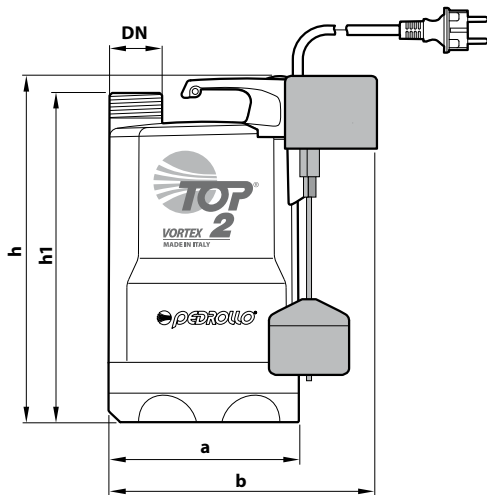


### Typical installation

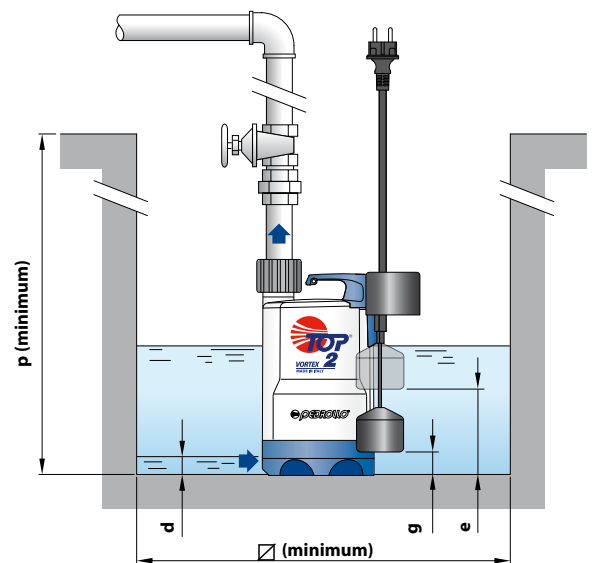


TYPE	PORT DN	DIMENSIONS mm							kg
		a	h	h1	d	e	p	Ø	
<b>Single-phase</b>									
<b>TOP 1 - VORTEX</b>	1 1/4"	152	288	268	25	adjustable	350	350	5.4
<b>TOP 2 - VORTEX</b>			318	298					5.4
<b>TOP 3 - VORTEX</b>									6.8

### ※ Version with 'GM' magnetic float switch



### Typical installation



TYPE	PORT DN	DIMENSIONS mm									kg
		a	b	h	h1	d	e	g (adjustable)	p	Ø	
<b>Single-phase</b>											
<b>TOP 1 - VORTEX/GM</b>	1 1/4"	152	200	288	268	25	170	40	350	220	5.5
<b>TOP 2 - VORTEX/GM</b>				318	298						5.5
<b>TOP 3 - VORTEX/GM</b>											6.9

### PALLET CAPACITY

TYPE	NO. OF PUMPS
<b>Single-phase</b>	
<b>TOP 1 - VORTEX</b>	96
<b>TOP 2 - VORTEX</b>	96
<b>TOP 3 - VORTEX</b>	96

## MATERIALS AND COMPONENTS

<b>1 Pump body</b>	Technopolymer	
<b>2 Suction filter</b>	Technopolymer	
<b>3 Suction cover</b>	Technopolymer	
<b>4 Diffuser</b>	Technopolymer	
<b>5 Impeller</b>	VORTEX technopolymer type	
<b>6 Motor sleeve</b>	Stainless steel <b>AISI 304</b>	
<b>7 Motor cover</b>	Stainless steel <b>AISI 304</b>	
<b>8 Motor shaft</b>	Stainless steel <b>AISI 431</b>	
<b>9 Double shaft seal with interposed oil chamber</b>		
Seal	Shaft	Materials
<b>STA-12R</b>	Ø 12 mm	Ceramic / Graphite / NBR
<b>Shaft seal</b>	Ø 12 x Ø 19 x H 5 mm	

## 10 Capacitor

## 11 Electric motor

**TOP-VORTEX:** single-phase 230 V - 50 Hz with winding integrated thermal motor protection

- Continuous running duty S1
- Insulation: Class F
- Protection rating IP X8

## 12 Handle group

Including:

- Float switch (vertically operating float switch in GM versions)
- 5 metres power cable type 'H07 RN-F' with Schuko plug

## 13 Ferrule and hose nozzle

Hose connector Ø 35 mm