

-  Clear waters
-  Domestic use
-  Civil use
-  Industrial use

※ **High-quality materials and robust construction ensure superior performance and reliability**



PERFORMANCE RANGE

- Flow rate up to **550 l/min** (33 m³/h)
- Head up to **38 m**

INSTALLATION AND USE

DC submersible pumps are constructed from thick cast iron, offering exceptional robustness, abrasion resistance, and longevity. Perfect for **draining both clear and slightly dirty water**, their durability and reliability set them apart. Designed for automated fixed installations, the DC series guarantees continuous operation, even in conditions where they are not fully submerged.

INCLUDES

- ※ Power cable length **10 m**
- ※ Float switch (exclusive to single-phase models)
- ※ Switchbox compatible with DCm42, DCm43 (exclusive to single-phase models)

APPLICATION LIMITS

- Maximum operating depth below water level up to **10 m** (with an appropriately sized power cable)
- Liquid temperature up to **+40 °C**
- Capable of processing suspended solids up to **Ø 10 mm**
- Draining capability:
 - up to **17 mm** from the bottom for DC 10-20-30
 - up to **25 mm** from the bottom for DC 42-43-44
- **Minimum immersion for continuous service:**
 - **220 mm DC 10-20-30**
 - **300 mm DC 42-43-44**

AVAILABLE UPON REQUEST

- ※ Different voltage requirements 60 Hz frequency

WARRANTY

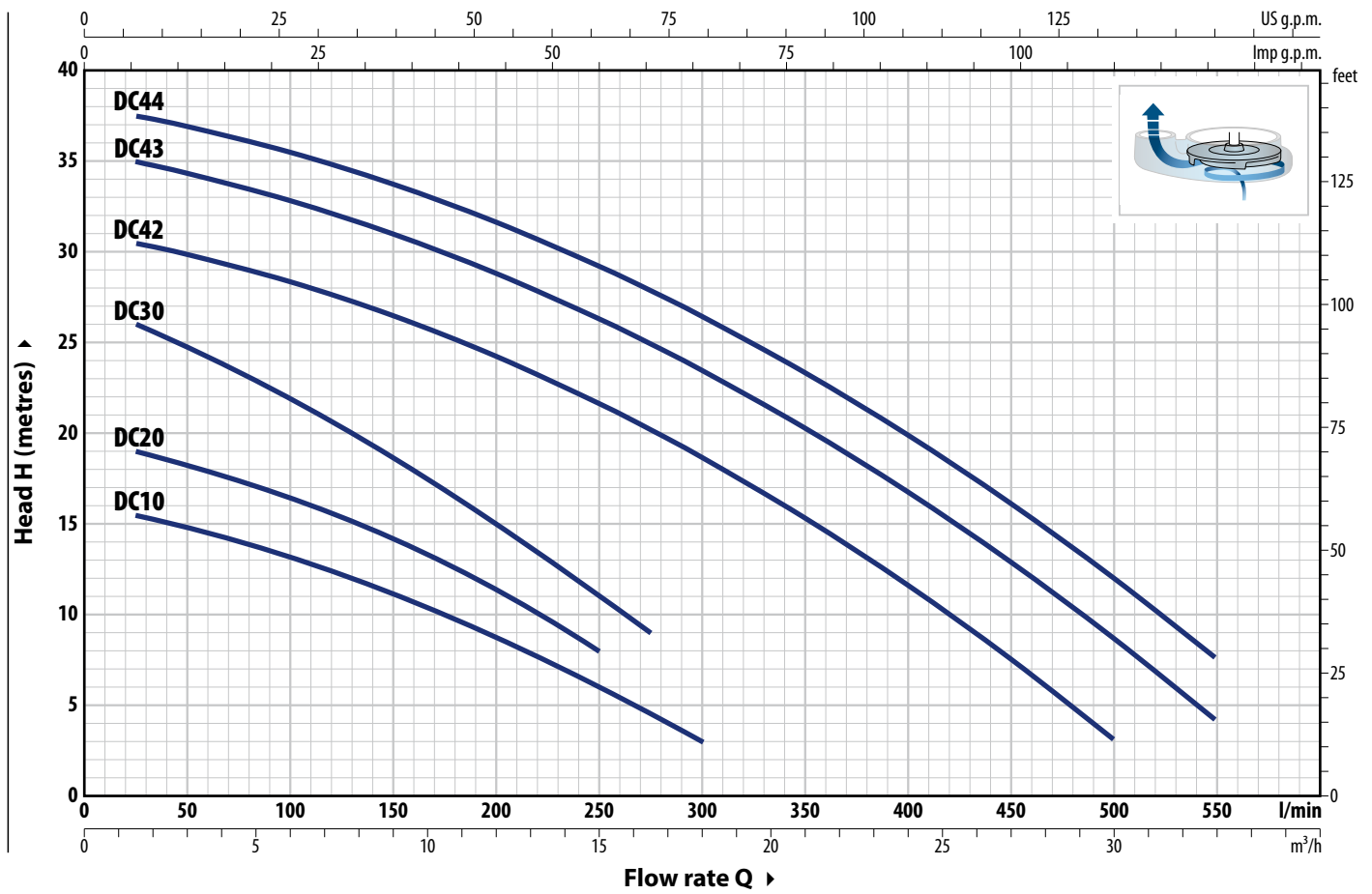
- ※ **The warranty for the Three-Phase DC 42-43-44 models remains valid only if the motor's built-in thermal protector is properly connected to the control panel. This connection is essential for the warranty's applicability**

PATENTS - TRADE MARKS - MODELS

- Patent No. IT0001428923
- Registered Community Model No. 002501486-0001

CURVES AND PERFORMANCE DATA

50 Hz



TYPE		POWER (P ₂)		Q	Flow rate (m ³ /h)																
Single-ph.	Three-ph.	kW	HP		0	1.5	3.0	6.0	9.0	12.0	15.0	16.5	18.0	21.0	24.0	27.0	30.0	33.0			
				l/min	0	25	50	100	150	200	250	275	300	350	400	450	500	550			
DCm 10	DC 10	0.75	1	H metres	16	15.5	14.8	13.2	11.2	8.8	6	4.5	3								
DCm 20	DC 20	0.75	1		20	19	18.5	16.5	14.3	11.5	8										
DCm 30	DC 30	1.1	1.5		26	26	24.8	22	18.7	15	11	9									
DCm 42	DC 42	1.5	2		31	30.5	30	28.4	26.5	24.3	21.6	20.2	18.6	15.3	11.6	7.5	3				
DCm 43	DC 43	2.2	3		35.5	35	34.4	33	31	28.8	26.3	25	23.5	20.3	16.7	12.8	8.5	4			
-	DC 44	3	4		38	37.5	37	35.5	33.7	31.6	29.2	27.8	26.4	23.3	20	16	12	7.5			

Q = Flow rate H = Total manometric head

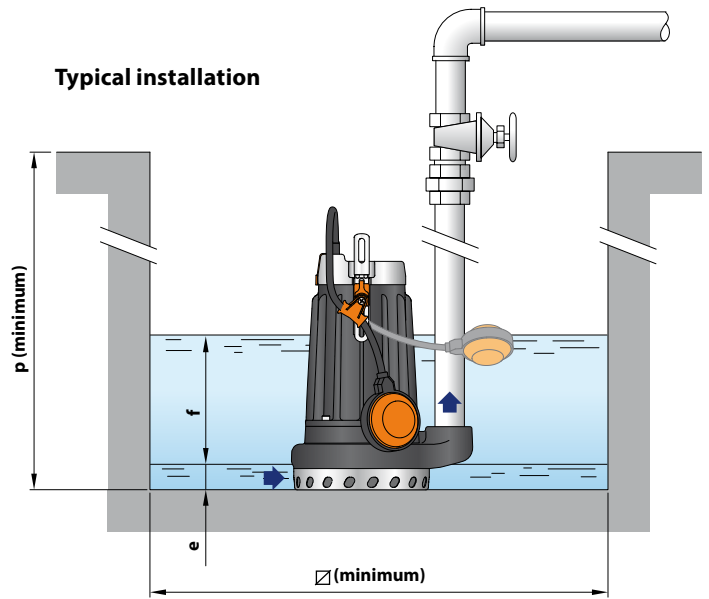
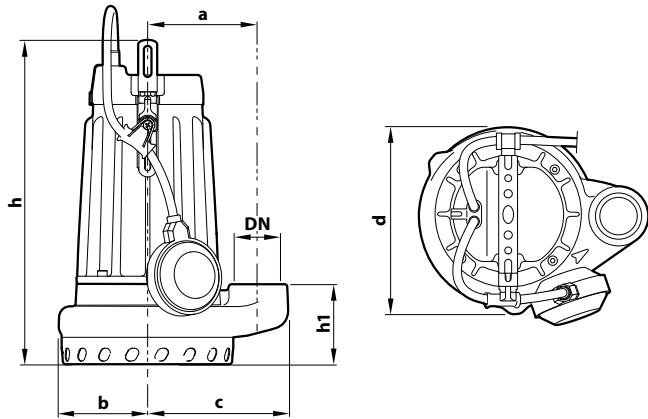
Performance curves comply with EN ISO 9906 Grade 3B tolerance limits.

ABSORPTION

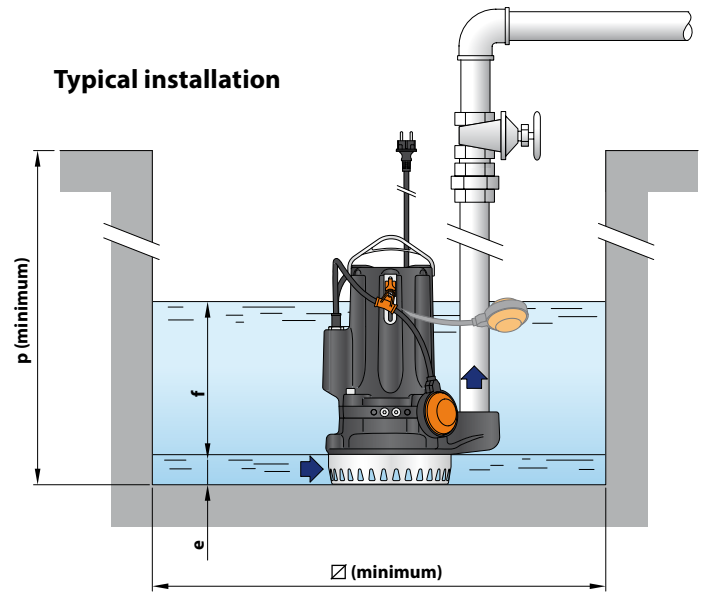
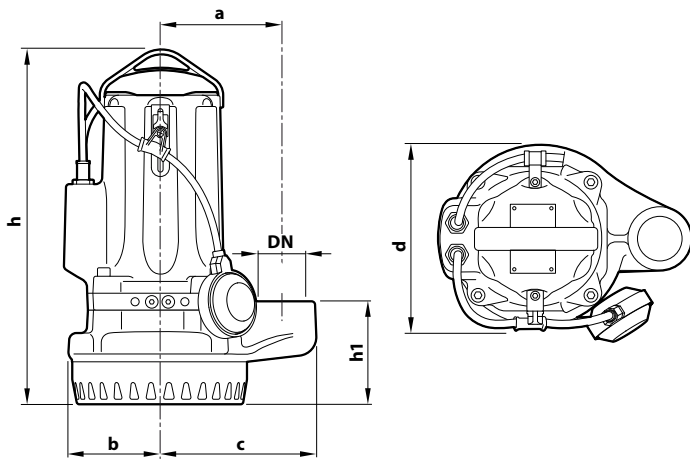
TYPE	VOLTAGE
Single-phase	230 V
DCm 10	5.0 A
DCm 20	5.7 A
DCm 30	7.2 A
DCm 42	13.0 A
DCm 43	16.0 A

TYPE	VOLTAGE
Three-phase	400 V
DC 10	2.0 A
DC 20	2.4 A
DC 30	3.0 A
DC 42	5.2 A
DC 43	6.2 A
DC 44	6.8 A

DIMENSIONS AND WEIGHT



TYPE		PORT DN	DIMENSIONS mm										kg	
Single-ph.	Three-ph.		a	b	c	d	h	h1	e	f	p	∅	1~	3~
DCm 10	DC 10	1½"	115	85	147	177	336	73	17	adjustable	500	500	16.9	15.8
DCm 20	DC 20			93									16.9	15.9
DCm 30	DC 30			19.0	17.7									



TYPE		PORT DN	DIMENSIONS mm										kg	
Single-ph.	Three-ph.		a	b	c	d	h	h1	e	f	p	∅	1~	3~
DCm 42	DC 42	2"	150	112	190	230	434	125	25	adjustable	800	800	42.0	41.0
DCm 43	DC 43						460 434						47.0	42.0
-	DC 44						460						-	47.0

PALLET CAPACITY

TYPE		NO. OF PUMPS
Single-ph.	Three-ph.	
DCm 10	DC 10	60
DCm 20	DC 20	60
DCm 30	DC 30	60

TYPE		NO. OF PUMPS
Single-ph.	Three-ph.	
DCm 42	DC 42	16
DCm 43	DC 43	16
-	DC 44	16

MATERIALS AND COMPONENTS

DC 10-20-30

1 Pump body	Cast iron with cataphoresis		
2 Grid	Stainless steel AISI 304		
3 Cover	Stainless steel AISI 304		
4 Impeller	Open type in technopolymer		
5 Motor holder	Cast iron with cataphoresis		
6 Motor cover	Stainless steel AISI 304		
7 Motor shaft	Stainless steel AISI 431		
8 Double mechanical seal in oil chamber			
Pump	Seal	Shaft	Materials
DC10	MG1-14D SIC	Ø 14 mm	SiC / Graphite / NBR
DC20			SiC / SiC / NBR
Double shaft seal with sealing ring Ø 16 x Ø 24 x H 5 mm			
DC30	ST1-14 SIC	Ø 14 mm	Ceramic / C. silicon / NBR

9 Electric Motor

DCm :single-phase 230 V - 50 Hz
with thermal motor protection

DC: three-phase 400 V - 50Hz
– Insulation: class F – Protection rating: IP X8

10 Power cord

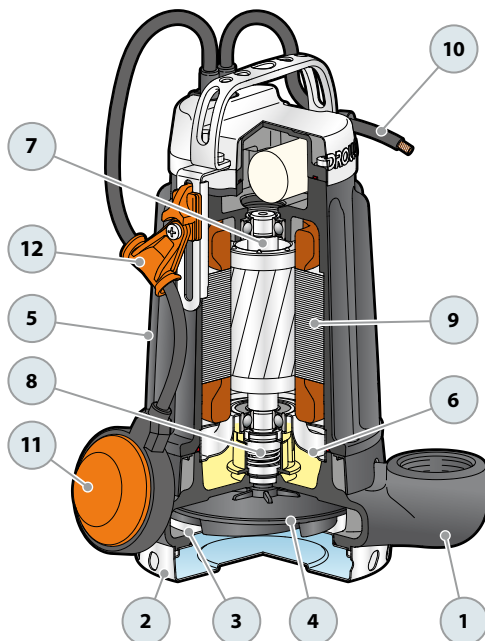
(Schuko plug exclusive to single-phase models)

※ 10 metres 'H07 RN-F' type

11 Float switch

12 Tilting device for the float cable

(exclusive to single-ph. models) Patent No. IT0001428923



DC 42-43-44

1 Pump body	Cast iron with cataphoresis		
2 Grid	Stainless steel AISI 304		
3 Cover	Cast iron with cataphoresis		
4 Impeller	Stainless steel AISI 304 micro-cast		
5 Motor holder	Cast iron with cataphoresis		
6 Motor cover	Cast iron with cataphoresis		
7 Motor shaft	Stainless steel AISI 431		
8 Double mechanical seal with interposed oil chamber			
Seal	Shaft	Location	Materials
STA-24	Ø 24 mm	Motor side	Ceramic / Graphite / NBR
STA-22 SIC	Ø 22 mm	Motor side	SiC / SiC / NBR

9 Electric Motor

DCm :single-phase 230 V - 50 Hz
with thermal motor protection

DC: three-phase 400 V - 50 Hz
with winding integrated thermal motor protection
to be connected to the switchboard

– Insulation: class F – Protection rating: IP X8

10 Power cord

※ 10 metres 'H07 RN-F' type

11 Float switch

12 Switch cabinet for DCM 42, DCM 43

(exclusive to single-phase models)

13 Tilting device for the float cable

(exclusive to single-ph. models) Patent No. IT0001428923

