

TOP MULTI-EVO Multi-stage submersible pumps

-  Clean water
-  Domestic use
-  Civil use



TOP MULTI 1 - EVO



TOP MULTI 2-3-4-5 - EVO

PERFORMANCE RANGE

- Flow rate up to **120 l/min** (7.2 m³/h)
- Head up to **52 m**

INSTALLATION AND USE

TOP MULTI-EVO pumps are designed to transfer **clean water** free from abrasive particles and liquids that will not damage the pump's components. Efficient and reliable, they are ideal for domestic applications involving tanks, reservoirs, and deep wells. They are also perfect for collecting rainwater from water tanks (rain barrels) for manual watering or irrigation systems.

APPLICATION LIMITS

- Maximum operating depth below water level:
 - up to **3 m** for TOP MULTI 1-EVO
 - up to **10 m** for TOP MULTI 2-3-4-5 EVO (with an appropriately sized power cable)
- Liquid temperature up to **+40 °C**
- Draining capability:
 - up to **25 mm** from the bottom for TOP MULTI 1-EVO
 - up to **35 mm** from the bottom for TOP MULTI 2-3-4-5 EVO
- Manometric suction head up to **7 m**

PATENTS - TRADE MARKS - MODELS

- TOP MULTI® Registered trademark No. 0001334477

INCLUDES

- ✳ **10 m** power cable
- ✳ Float switch
- ✳ Hose connector **Ø 35 mm**
- ✳ Complete sleeve with clapet valve

AVAILABLE UPON REQUEST

- ✳ Different voltage requirements 60 Hz frequency
- ✳ **KGE - Floating suction kit**



The KGE kit enables suction about 10 cm below the water surface, avoiding floating debris and sediment, thereby protecting the pump from damage.

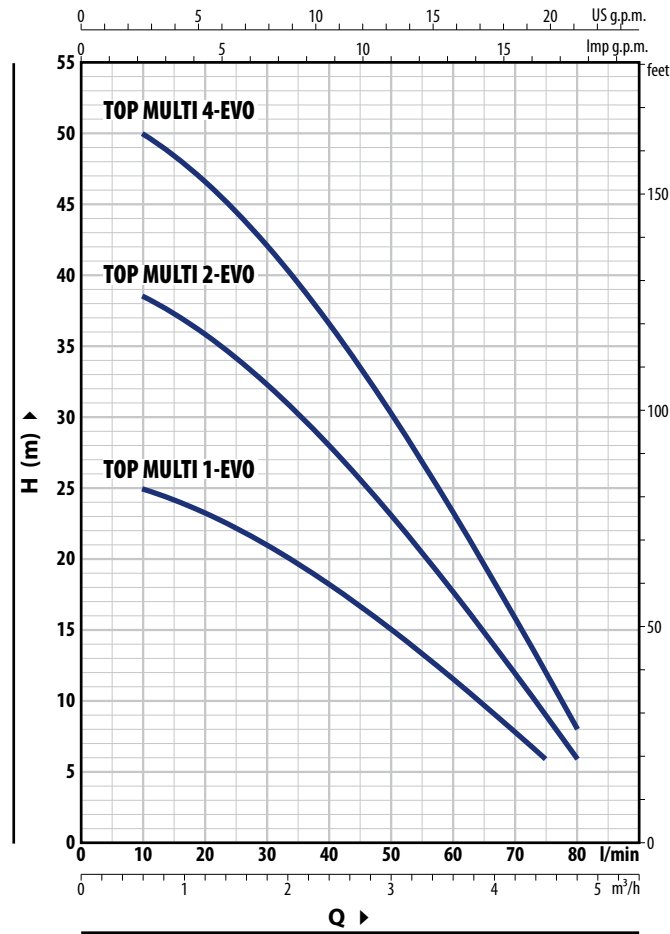
Includes:

- 30 mm PVC spiral hose 1.5 metres long
- stainless steel suction filter
- spherical polyethylene float
- hose fittings Ø 30 mm

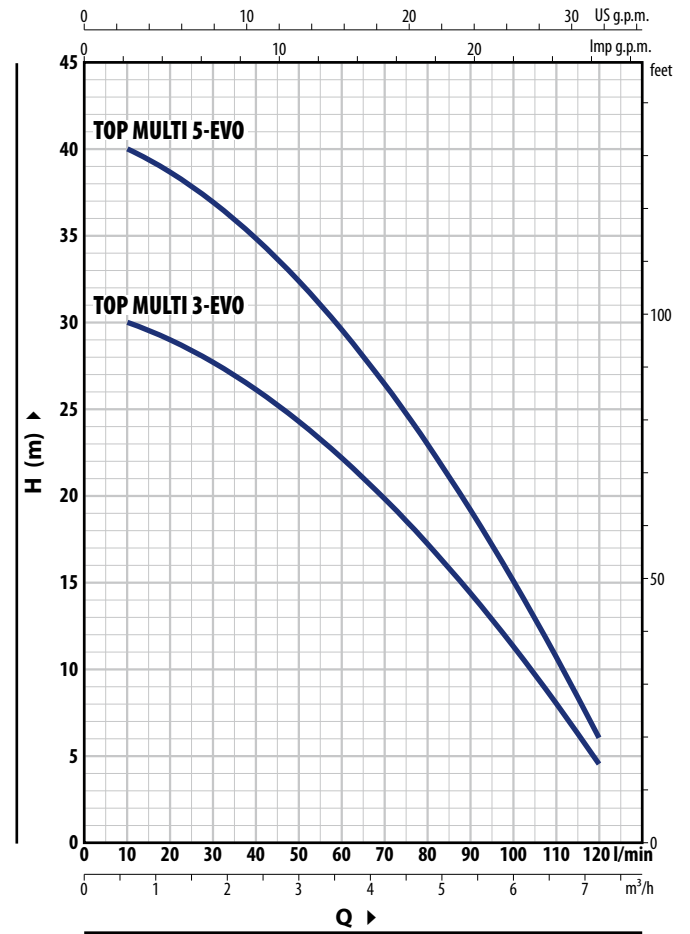
CURVES AND PERFORMANCE DATA

50 Hz

TOP MULTI 1-2-4 EVO



TOP MULTI 3-5 EVO



TOP MULTI 1-2-4 EVO

TYPE	POWER (P ₂)		Q	Flow rate											
	kW	HP		m ³ /h	0	0.6	1.2	1.8	2.4	3.0	3.6	4.2	4.5	4.8	
Single-phase			l/min	0	10	20	30	40	50	60	70	75	80		
TOP MULTI 1-EVO	0.37	0.50	H metres	26	25	23.3	21	18.3	15	11.6	8	6			
TOP MULTI 2-EVO	0.55	0.75		40	38.5	36	32.5	28	23	17.7	12	9	6		
TOP MULTI 4-EVO	0.75	1		52	50	46.5	42	36.5	30.5	23.3	15.8	12	8		

TOP MULTI 3-5 EVO

TYPE	POWER (P ₂)		Q	Flow rate													
	kW	HP		m ³ /h	0	0.6	1.2	1.8	2.4	3.0	3.6	4.2	4.8	5.4	6.0	6.6	7.2
Single-phase			l/min	0	10	20	30	40	50	60	70	80	90	100	110	120	
TOP MULTI 3-EVO	0.55	0.75	H metres	30.5	30	29	27.5	26	24.3	22.2	19.8	17.2	14.4	11.3	8	4.5	
TOP MULTI 5-EVO	0.75	1		41	40	38.5	37	35	32.5	29.5	26.5	23	19.2	15	10.7	6	

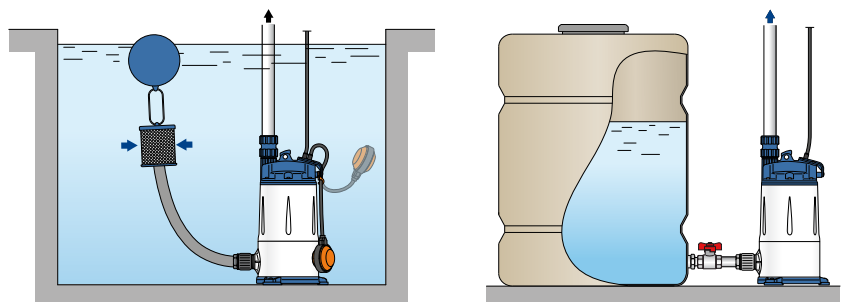
Q = Flow rate H = Total manometric head

Performance curves comply with EN ISO 9906 Grade 3B tolerance limits.

ABSORPTION

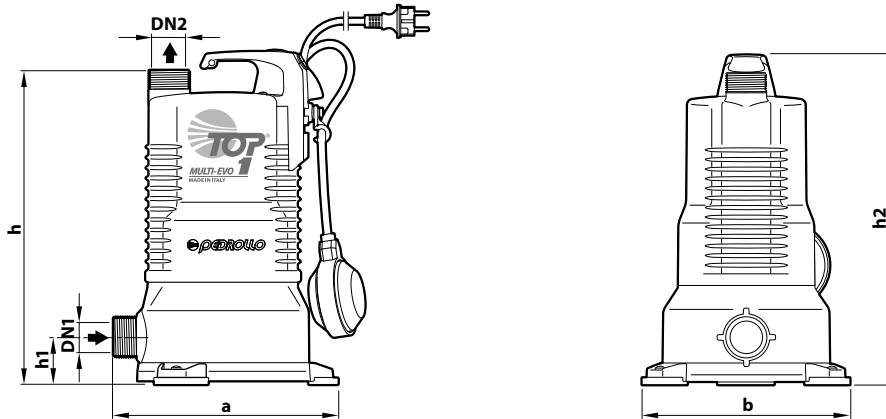
TYPE	VOLTAGE
Single-phase	230 V
TOP MULTI 1-EVO	2.0 A
TOP MULTI 2-EVO	3.4 A
TOP MULTI 3-EVO	3.6 A
TOP MULTI 4-EVO	3.9 A
TOP MULTI 5-EVO	3.9 A

INSTALLATION EXAMPLES

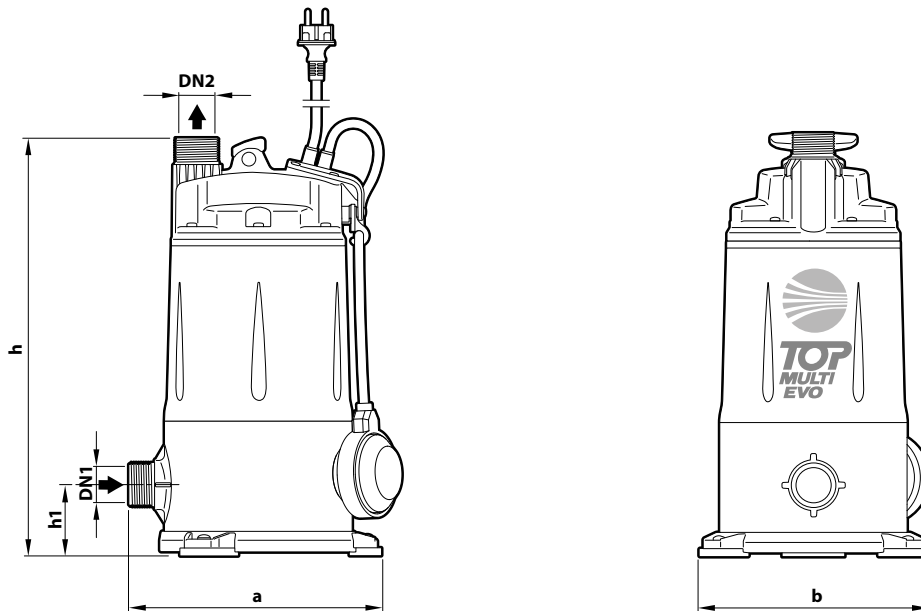


DIMENSIONS AND WEIGHT

TOP MULTI 1 EVO



TOP MULTI 2-3-4-5 EVO





TYPE	PORTS		NO. STAGES	DIMENSIONS mm					kg
	DN1	DN2		a	b	h	h1	h2	
TOP MULTI 1-EVO	1 1/4"	1 1/4"	2	227	210	317	49	337	7.1
TOP MULTI 2-EVO			3	239	216	394	68	-	9.9
TOP MULTI 3-EVO			3			9.9			
TOP MULTI 4-EVO			4			10.4			
TOP MULTI 5-EVO			4			10.4			

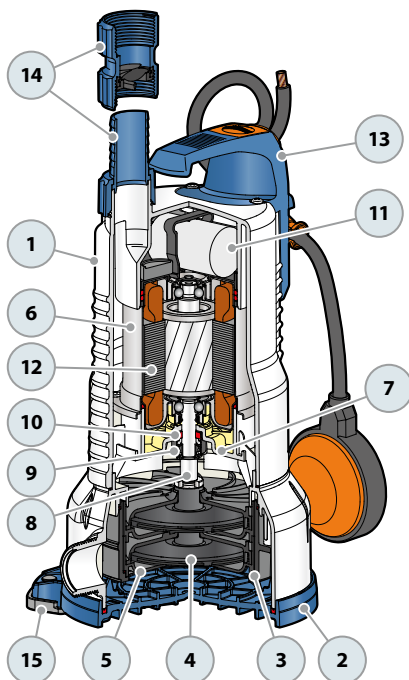
PALLET CAPACITY

TYPE	NO. OF PUMPS
TOP MULTI 1-EVO	45
TOP MULTI 2-EVO	45
TOP MULTI 3-EVO	45
TOP MULTI 4-EVO	45
TOP MULTI 5-EVO	45

TOP MULTI 1 EVO



MATERIALS AND COMPONENTS

1 Pump body	Technopolymer
2 Base	Technopolymer
3 Containment stages	Technopolymer
4 Impellers	Noryl™
5 Diffusers and stage boxes	Noryl™
6 Motor sleeve	Stainless steel AISI 304
7 Motor cover	Stainless steel AISI 304
8 Motor shaft	Stainless steel AISI 431
9 Mechanical seal	STA-12R Ceramic/Graphite/NBR
10 Shaft seal	Ø 12 x Ø 19 x H 5 mm
11 Capacitor	
12 Electric motor	
13 Handle group	Including: - Float switch - Power cable with Schuko plug
14 Ferrule and hose nozzle	
Sleeve With built-in clapet valve	
15 Anti-vibration feet	



TOP MULTI 2-3-4-5 EVO

MATERIALS AND COMPONENTS

1 Delivery port	Technopolymer
2 Suction body	Technopolymer
3 Base	Technopolymer
4 Diffuser vanes	Technopolymer
5 Motor sleeve	Stainless steel AISI 304
6 Impellers	Noryl™
7 Diffusers and stage boxes	Noryl™
8 Motor shaft	Stainless steel AISI 431
9 Double mechanical seal	STA-13R Motor side Ceramic/Graphite/NBR STA-13R SIC Pump side SIC/Graphite/NBR
10 Capacitor	
11 Electric motor	
12 Power cable with Schuko plug	
13 Float switch	
14 Ferrule and hose nozzle	
Sleeve With built-in clapet valve	
15 Anti-vibration feet	

