



Clean water

Domestic use

Civil use



PERFORMANCE RANGE

- Flow rate up to **120 l/min** (7.2 m³/h)
- Head up to **267 m**

INSTALLATION AND USE

3-inch submersible pumps are designed to transfer clean water, making them perfect for household use, irrigation, and small community water systems.

KEY FEATURES

The increased efficiency of 3SR pumps not only saves electricity but also offers economic advantages. Their small size and light build allow for easy installation in wells 3 inches wide or more.

With a blend of hydraulic parts and a high-efficiency motor, 3SR pumps excel in the 3-inch category, capable of handling water with up to **150 g/m³** of sand.

ELECTRIC MOTOR

- **Rewindable** motor in oil bath (non-toxic food-safe oil) 2-pole, 50 Hz
- Voltage:
 - single-phase 230 V
 - three-phase 400 V
- Continuous running duty **S1**
- Insulation: Class F
- Protection rating: IP 68
- Shaft and sleeve: **AISI 304** stainless steel
- Flange coupling dimensions to NEMA standard
- Connector with power cable from:
 - **1.5 m** for power up to 0.75 kW
 - **2.0 m** for power ratings from 1.1 kW

APPLICATION LIMITS

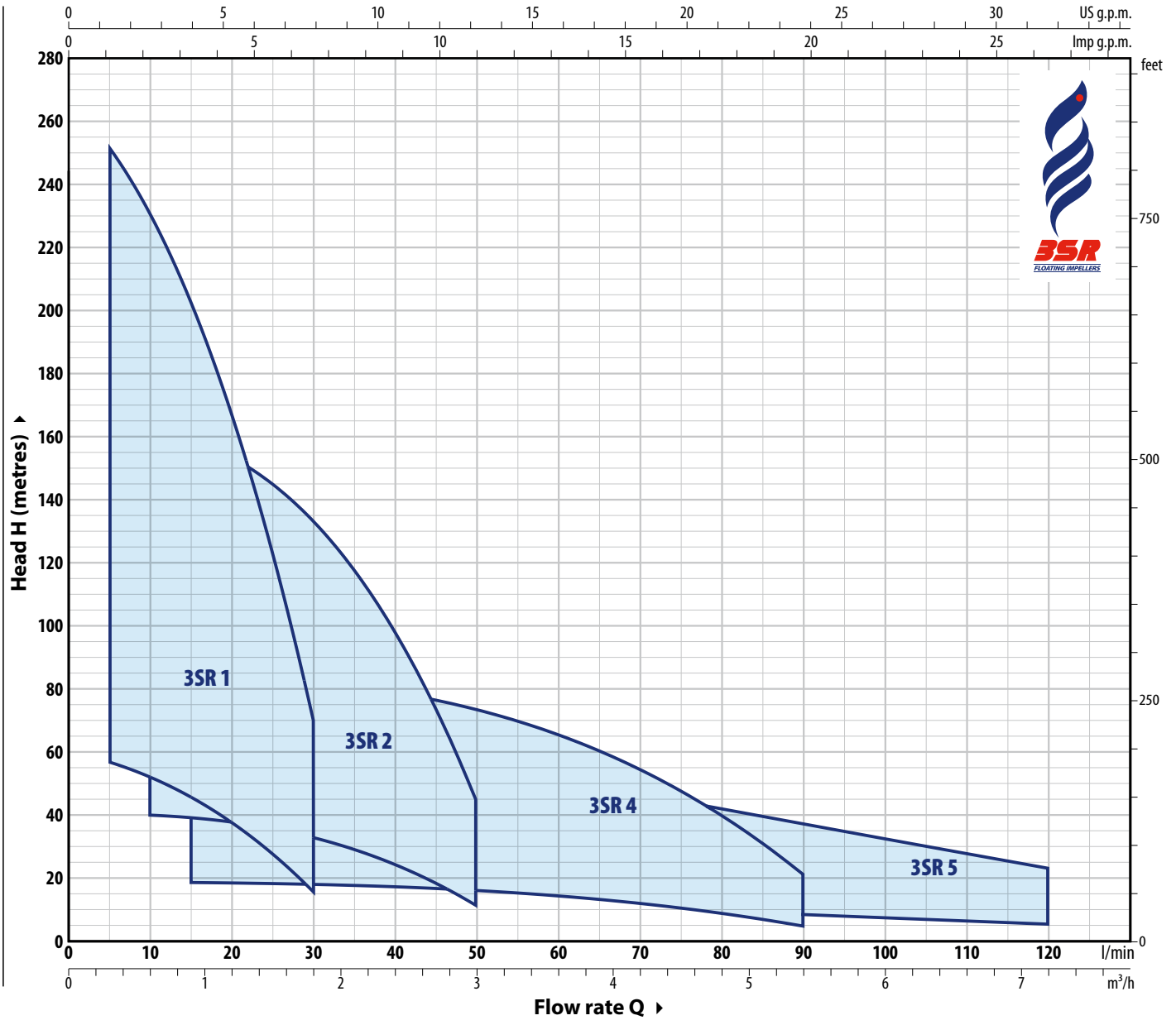
- Liquid temperature up to **+35 °C**
- Maximum sand content **150 g/m³**
- Capable of operating at depths of up to **100 metres** below water level (with an appropriately sized power cable)
- Vertical operation
- Starts per hour: **20** at regular intervals
- Minimum motor cooling flow **8 cm/s**

AVAILABLE UPON REQUEST

- ✘ **10, 20, 30 or 40 metres** long power cable
- ✘ Different voltage requirements 60 Hz frequency

PERFORMANCE RANGE

50 Hz



PATENTS:

- Patent No. EP3123031, EP2419642

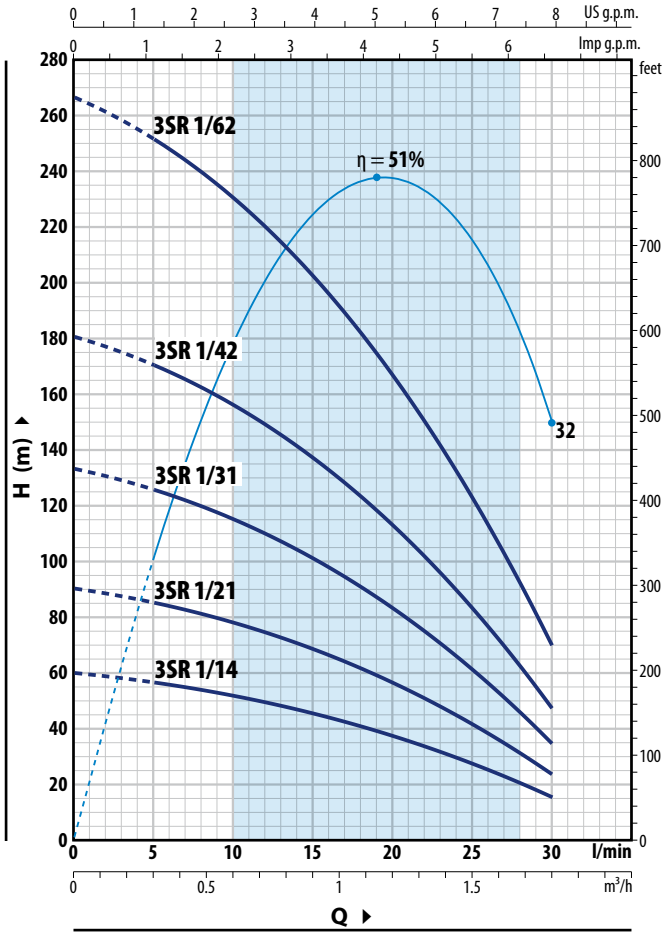


3SR 3" submersible pumps

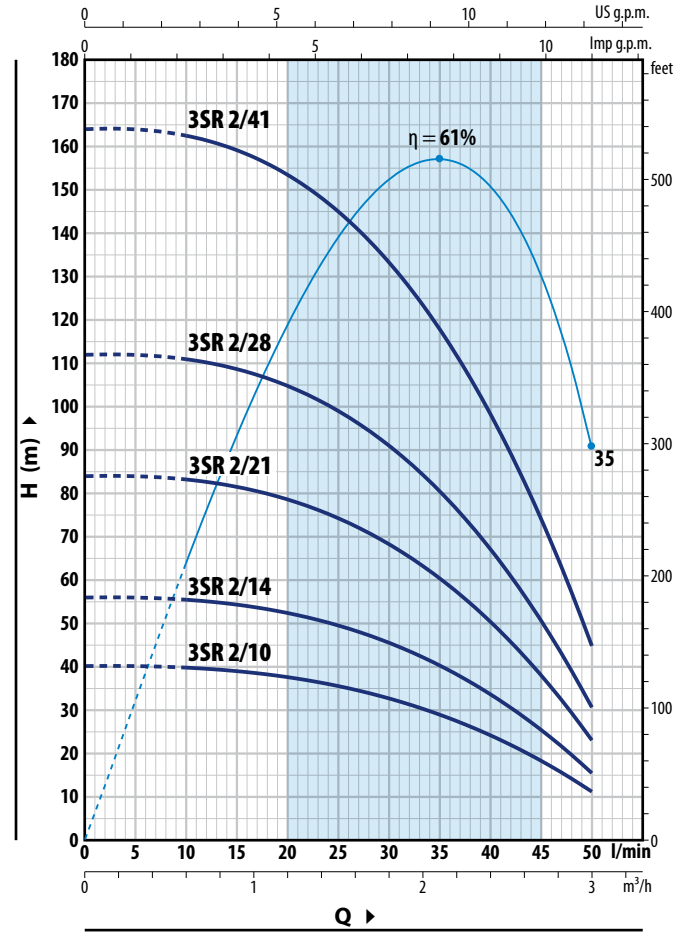
CURVES AND PERFORMANCE DATA

50 Hz

3SR 1



3SR 2



3SR 1

TYPE		POWER (P ₂)		Q	H metres						
Single-phase	Three-phase	kW	HP		m ³ /h	0	0.3	0.6	0.9	1.2	1.5
3SRm 1/14	3SR 1/14	0.25	0.33	l/min	0	5	10	15	20	25	30
3SRm 1/21	3SR 1/21	0.37	0.50		60	57	52	45.5	37.5	28	16
3SRm 1/31	3SR 1/31	0.55	0.75		90	85	78	68.5	56.5	41.5	24
3SRm 1/42	3SR 1/42	0.75	1		133	126	115	101	83	61.5	35
3SRm 1/62	3SR 1/62	1.1	1.5		181	170	156	137	113	83	47.5
					267	252	230	203	167	123	70

3SR 2

TYPE		POWER (P ₂)		Q	H metres								
Single-phase	Three-phase	kW	HP		m ³ /h	0	0.6	0.9	1.2	1.5	1.8	2.1	2.4
3SRm 2/10	3SR 2/10	0.25	0.33	l/min	0	10	15	20	25	30	35	40	50
3SRm 2/14	3SR 2/14	0.37	0.50		40	39.5	39	37.5	35.5	32.5	28.5	24	11
3SRm 2/21	3SR 2/21	0.55	0.75		56	55.5	54.5	52.5	49.5	45.5	40	33.5	15.5
3SRm 2/28	3SR 2/28	0.75	1		84	83	81	79	74	68	60.5	50.5	23
3SRm 2/41	3SR 2/41	1.1	1.5		112	111	109	105	99	91	80	67	30.5
					164	162	159	153	145	133	118	98	45

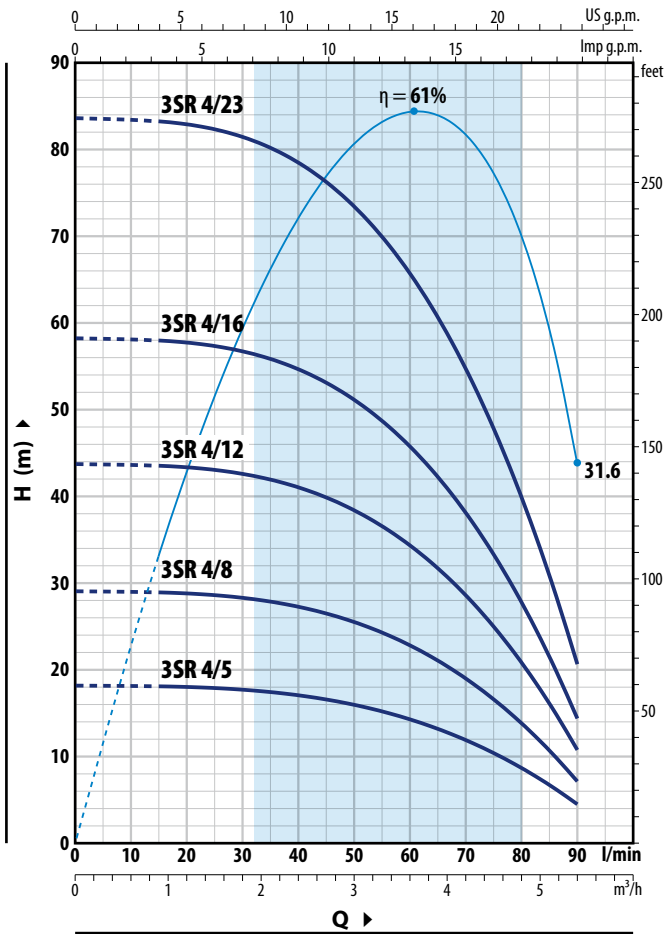
Q = Flow rate H = Total manometric head

Performance curves comply with EN ISO 9906 Grade 3B tolerance limits.

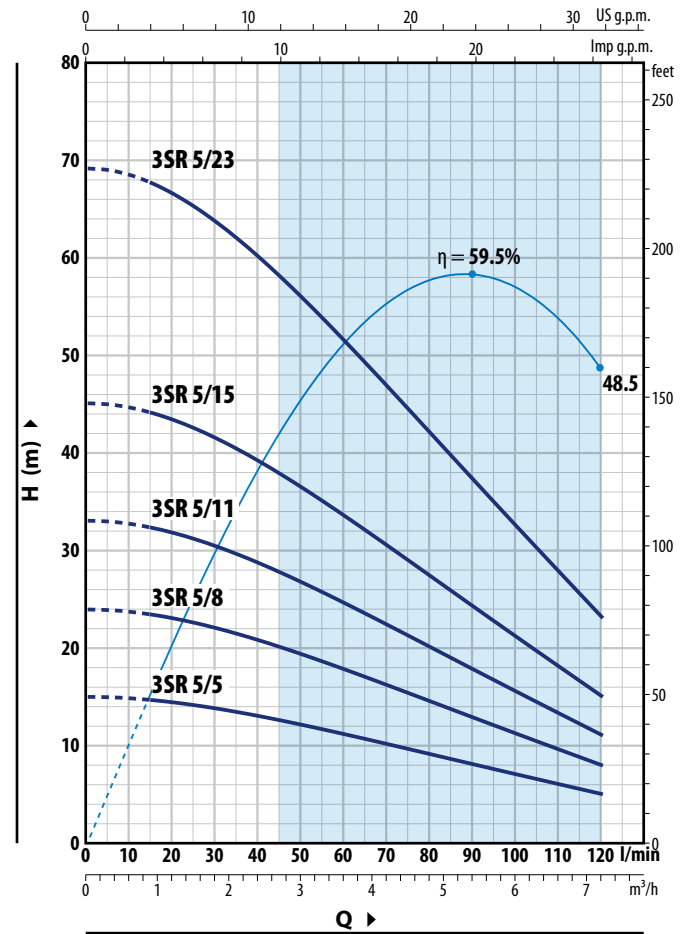
CURVES AND PERFORMANCE DATA

50 Hz

3SR 4



3SR 5



3SR 4

TYPE		POWER (P ₂)		Q										
Single-phase	Three-phase	kW	HP		m ³ /h	0	0.9	1.2	1.8	2.4	3	3.6	4.2	4.8
				l/min	0	15	20	30	40	50	60	70	80	90
3SRm 4/5	3SR 4/5	0.25	0.33	H metres	18	18	18	17.8	17.1	16	14.3	12	8.7	4.5
3SRm 4/8	3SR 4/8	0.37	0.50		29	29	29	28.5	27.5	25.6	23	19	14	7
3SRm 4/12	3SR 4/12	0.55	0.75		43.5	43.5	43.5	42.5	41	38.5	34.5	28.5	21	11
3SRm 4/16	3SR 4/16	0.75	1		58.5	58	58	57	54.5	51	46	38	28	14.5
3SRm 4/23	3SR 4/23	1.1	1.5		84	83	83	82	79	74	66	55	40	20.5

※ 3SR5

TYPE		POWER (P ₂)		Q										
Single-phase	Three-phase	kW	HP		m ³ /h	0	0.9	1.8	2.4	3	3.6	4.2	4.8	6
				l/min	0	15	30	40	50	60	70	80	100	120
3SRm 5/5	3SR 5/5	0.25	0.33	H metres	15	14.5	13.8	13	12.1	11.2	10.1	9.1	7	5
3SRm 5/8	3SR 5/8	0.37	0.5		24	23.5	22.1	20.8	19.4	17.8	16.2	14.6	11.3	8
3SRm 5/11	3SR 5/11	0.55	0.75		33	32.5	30.5	28.5	26.7	24.5	22.3	20	15.5	11
3SRm 5/15	3SR 5/15	0.75	1		45	44	41.5	39	36.5	33.5	30.5	27.5	21.1	15
3SRm 5/23	3SR 5/23	1.1	1.5		69	67.5	63.5	60	56	51.5	46.5	42	32.5	23

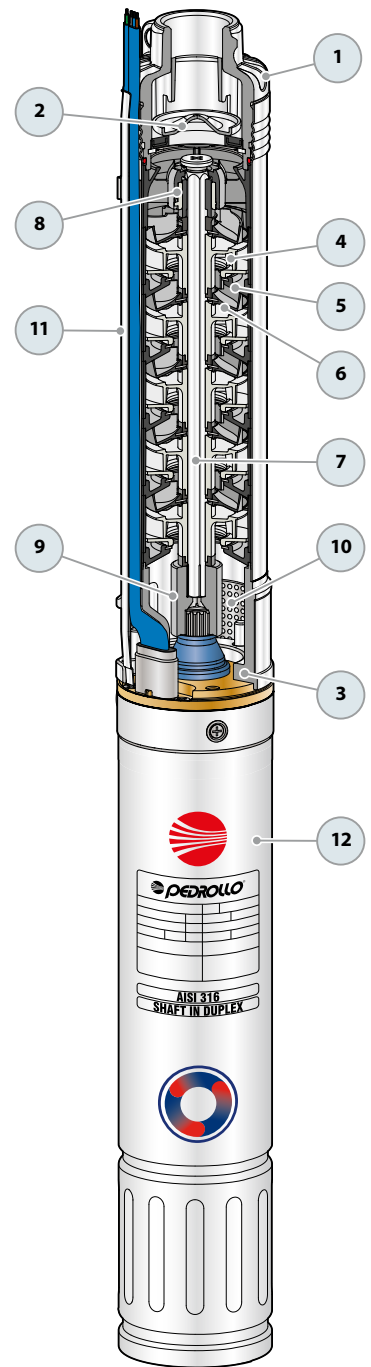
Q = Flow rate H = Total manometric head

Performance curves comply with EN ISO 9906 Grade 3B tolerance limits.

3SR 3" submersible pumps

MATERIALS AND COMPONENTS

1 Delivery port	Micro-cast AISI 304 stainless steel with thread according to ISO 228/1
2 Check valve	Stainless steel AISI 304
3 Motor bracket	AISI 304 micro-cast stainless steel, sized to NEMA standards
4 Impellers	Delrin® for 3SR 1-2-4 Noryl™ for 3SR 5
5 Diffusers	Noryl™ - AISI 304 stainless steel
6 Diffuser cover	Noryl™ - AISI 304 stainless steel for 3SR 1-2-4 Noryl™ for 3SR 5
7 Pump shaft	Stainless steel AISI 304
8 Pump bearings	Made of AISI 316L stainless steel coated with chromium oxide, for greater durability even in the presence of sand.
9 Tow coupling	Stainless steel AISI 316L
10 Filter	Stainless steel AISI 304
11 Cable sheath	Stainless steel AISI 304
12 Motor 3"	Rewindable oil-submerged motor



ABSORPTION

Single-phase versions - 230 V

TYPE	Power nominal P ₂		Axial Load N	Capacitor (VL=450V) μF	ABSORPTION
	kW	HP			
230 V / 50 Hz					
3SRm 1/14	0.25	0.33	800	12.5	3.2 A
3SRm 1/21	0.37	0.50		12.5	3.4 A
3SRm 1/31	0.55	0.75		16	4.5 A
3SRm 1/42	0.75	1		20	6.0 A
3SRm 1/62	1.1	1.5		30	8.0 A
3SRm 2/10	0.25	0.33		800	12.5
3SRm 2/14	0.37	0.50	12.5		3.4 A
3SRm 2/21	0.55	0.75	16		4.5 A
3SRm 2/28	0.75	1	20		6.0 A
3SRm 2/41	1.1	1.5	30		8.0 A
3SRm 4/5	0.25	0.33	800		12.5
3SRm 4/8	0.37	0.50		12.5	3.4 A
3SRm 4/12	0.55	0.75		16	4.5 A
3SRm 4/16	0.75	1		20	6.0 A
3SRm 4/23	1.1	1.5		30	8.0 A
3SRm 5/5	0.25	0.33		800	12.5
3SRm 5/8	0.37	0.5	12.5		3.4 A
3SRm 5/11	0.55	0.75	16		4.5 A
3SRm 5/15	0.75	1	20		6.0 A
3SRm 5/23	1.1	1.5	30		8.0 A

Three-phase versions - 400 V

TYPE	Power nominal P ₂		Axial Load N	ABSORPTION
	kW	HP		
400 V / 50 Hz				
3SR 1/14	0.25	0.33	800	1.4 A
3SR 1/21	0.37	0.50		1.5 A
3SR 1/31	0.55	0.75		1.9 A
3SR 1/42	0.75	1		2.6 A
3SR 1/62	1.1	1.5		3.5 A
3SR 2/10	0.25	0.33		800
3SR 2/14	0.37	0.50	1.5 A	
3SR 2/21	0.55	0.75	1.9 A	
3SR 2/28	0.75	1	2.6 A	
3SR 2/41	1.1	1.5	3.5 A	
3SR 4/5	0.25	0.33	800	
3SR 4/8	0.37	0.50		1.5 A
3SR 4/12	0.55	0.75		1.9 A
3SR 4/16	0.75	1		2.6 A
3SR 4/23	1.1	1.5		3.5 A
3SR 5/5	0.25	0.33		800
3SR 5/8	0.37	0.5	1.5 A	
3SR 5/11	0.55	0.75	1.9 A	
3SR 5/15	0.75	1	2.6 A	
3SR 5/23	1.1	1.5	3.5 A	

DIMENSIONS AND WEIGHT

TYPE	PORT DN	Ø	DIMENSIONS mm			kg
			h1	h2	h3	
Single-ph.						
3SRm 1/14	1"	76	415	388	803	9.9
3SRm 1/21			547	388	935	10.4
3SRm 1/31			736	408	1144	12.0
3SRm 1/42			973	448	1421	14.2
3SRm 1/62			1380	488	1868	17.6
3SRm 2/10			1"	76	377	388
3SRm 2/14	467	388			855	9.9
3SRm 2/21	625	408			1033	11.2
3SRm 2/28	813	448			1261	13.1
3SRm 2/41	1136	488			1624	15.8
3SRm 4/5	1"	76			311	388
3SRm 4/8			407	388	795	9.4
3SRm 4/12			534	408	942	10.5
3SRm 4/16			662	448	1110	12.2
3SRm 4/23			915	488	1403	14.5
3SRm 5/5			1"	76	399	388
3SRm 5/8	550	388			938	10.5
3SRm 5/11	700	408			1108	11.9
3SRm 5/15	901	448			1349	14.1
3SRm 5/23	1303	488			1791	17.3
Three-ph.						
3SR 1/14	1"	76	415	368	783	9.0
3SR 1/21			547	368	915	9.5
3SR 1/31			736	388	1124	11.3
3SR 1/42			973	408	1381	13.3
3SR 1/62			1380	448	1828	16.7
3SR 2/10			1"	76	377	368
3SR 2/14	467	368			835	9.0
3SR 2/21	625	388			1013	10.6
3SR 2/28	813	408			1221	12.2
3SR 2/41	1136	448			1584	15.0
3SR 4/5	1"	76			311	368
3SR 4/8			407	368	775	8.5
3SR 4/12			534	388	922	9.8
3SR 4/16			662	408	1070	11.3
3SR 4/23			915	448	1363	13.6
3SR 5/5			1"	76	399	368
3SR 5/8	550	368			918	10.0
3SR 5/11	700	388			1088	11.4
3SR 5/15	901	408			1309	13.1
3SR 5/23	1303	448			1751	16.2

