

-  Clean water
-  Domestic use
-  Civil use



PERFORMANCE RANGE

- Flow rate up to **70 l/min** (4.2 m³/h)
- Head up to **58 m**

INSTALLATION AND USE

JSW self-priming pumps are designed to draw water and liquids that contain air.

They are reliable and easy to operate. They are a favorite for domestic use, particularly effective for water distribution with small to medium-sized pressure tanks and suitable for irrigation..

APPLICATION LIMITS

- Manometric suction head up to **9 m** (HS)
- Liquid temperature between **-10 °C** and **+40 °C**
- Ambient temperature up to **+40 °C**
- Maximum working pressure **6 bar**

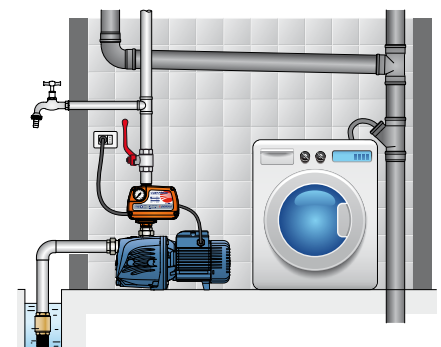
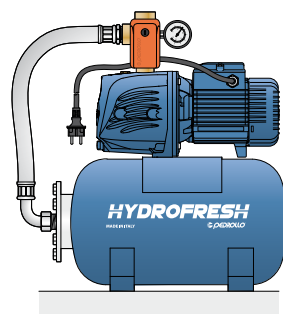
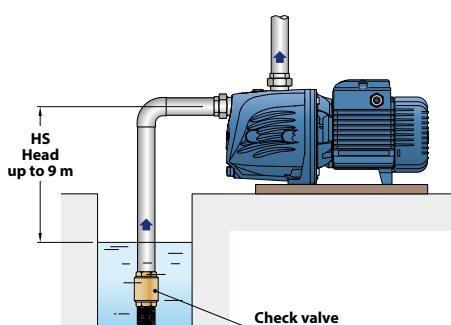
AVAILABLE UPON REQUEST

- ✘ Technopolymer impeller (JSW X)
(cost-effective version)
- ✘ Different voltage requirements 60 Hz frequency

PATENTS - TRADE MARKS - MODELS

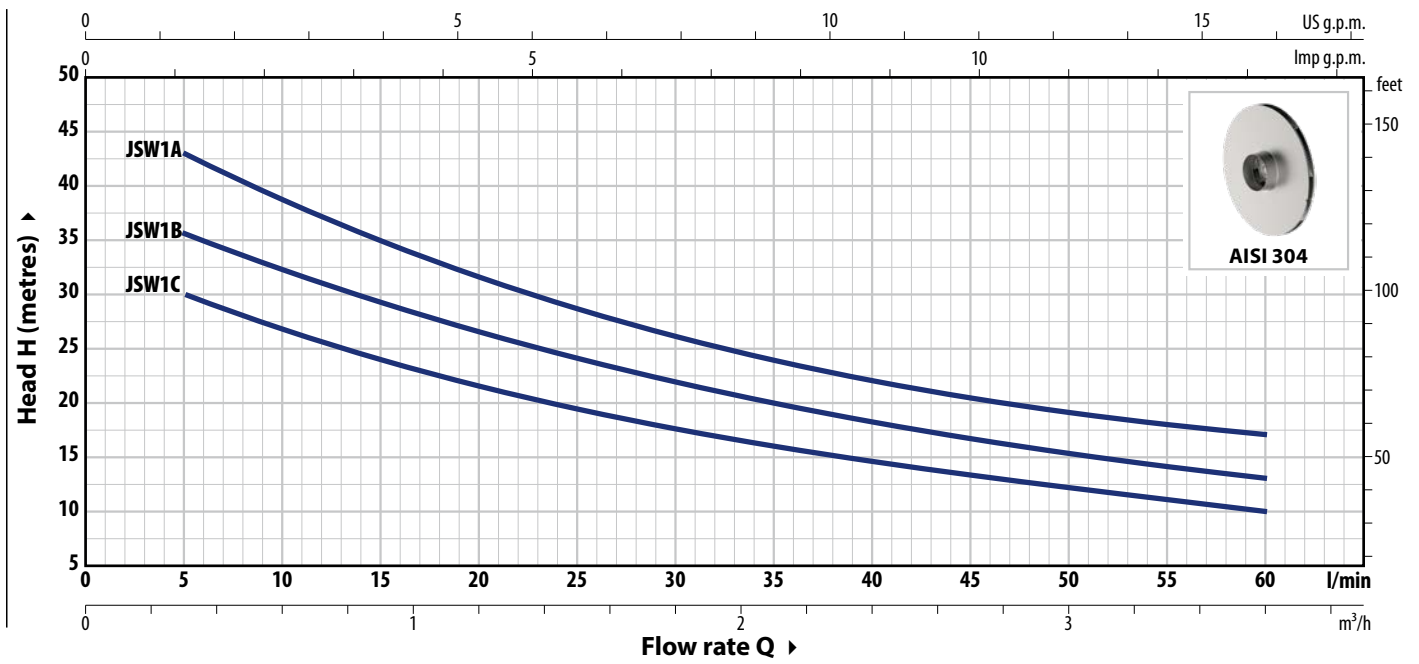
- **JSW**® Registered trademark No. 013073135
- Registered Community Model No. 002218610
- European Patent No. 1 510 696

EXAMPLES OF INSTALLATION

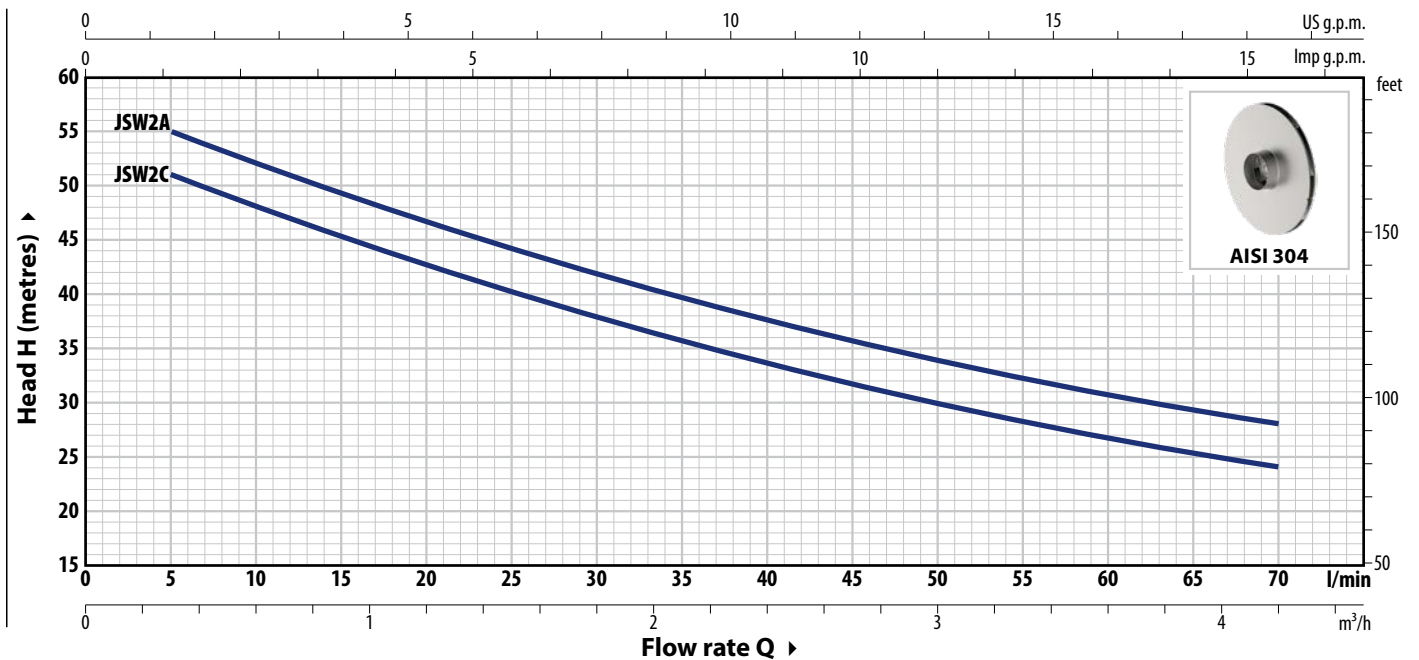


CURVES AND PERFORMANCE DATA – HS=0 m

50 Hz



TYPE		POWER (P ₂)		1~3~	Q	m ³ /h										
Single-ph.	Three-ph.	kW	HP			0	0.3	0.6	1.2	1.5	1.8	2.4	2.7	3.0	3.6	
						0	5	10	20	25	30	40	45	50	60	
JSWm 1C	JSW 1C	0.37	0.50	IE2 IE3	H metres	34	30	27	21.7	19.5	17.7	14.7	13.4	12.2	10	
JSWm 1B	JSW 1B	0.48	0.65			39.5	35.5	32.4	26.6	24.2	22	18.3	16.7	15.3	13	
JSWm 1A	JSW 1A	0.55	0.75			48	43	39	31.5	28.5	26	22	20.5	19	17	



TYPE		POWER (P ₂)		1~3~	Q	m ³ /h										
Single-ph.	Three-ph.	kW	HP			0	0.3	0.6	1.2	1.8	2.4	2.7	3.0	3.6	4.2	
						0	5	10	20	30	40	45	50	60	70	
JSWm 2C	JSW 2C	0.75	1	IE2 IE3	H metres	54	51	48	42.5	38	33.5	31.5	30	26.5	24	
JSWm 2A	JSW 2A	0.90	1.25			58	55	52	46.5	42	37.5	35.5	34	31	28	

Q = Flow rate H = Total manometric head HS = Suction height

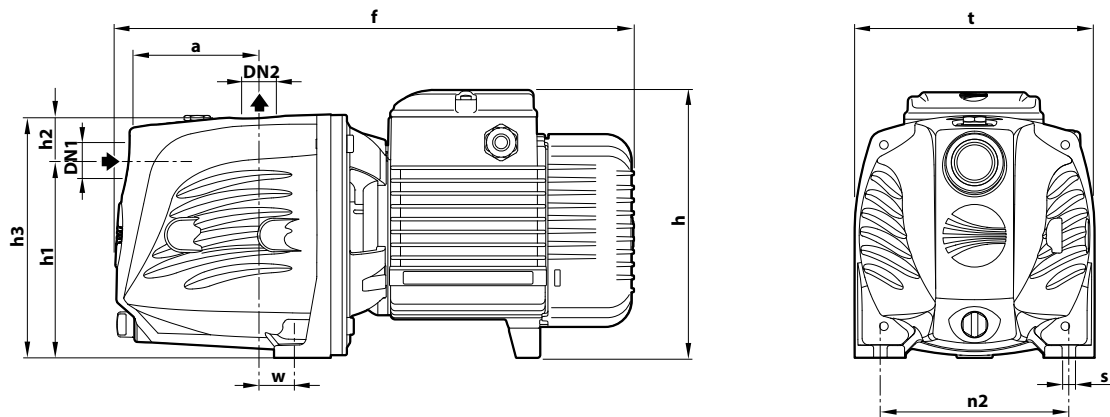
Performance curves comply with EN ISO 9906 Grade 3B tolerance limits.

ABSORPTION

TYPE	VOLTAGE
Single-ph.	230 V
JSWm 1C	2.6 A
JSWm 1B	3.2 A
JSWm 1A	3.6 A
JSWm 2C	5.8 A
JSWm 2A	6.0 A

TYPE	VOLTAGE	
Three-ph.	230 V - Δ	400 V - 人
JSW 1C	1.7 A	1.0 A
JSW 1B	2.1 A	1.2 A
JSW 1A	2.8 A	1.6 A
JSW 2C	4.7 A	2.7 A
JSW 2A	5.2 A	3.0 A

DIMENSIONS AND WEIGHT



TYPE		PORTS		DIMENSIONS mm										kg	
Single-ph.	Three-ph.	DN1	DN2	a	f	h	h1	h2	h3	t	n2	w	s	1~	3~
JSWm 1C	JSW 1C	1"	1"	94	357	171	127	35	162	158	124	24	10	9.7	9.7
JSWm 1B	JSW 1B													9.8	9.8
JSWm 1A	JSW 1A													10.7	10.0
JSWm 2C	JSW 2C	1"	1"	96	389	200 *	147	33	180	180	142	22	10	14.0	14.0
JSWm 2A	JSW 2A													15.0	14.0

(*) h=220 mm for single-phase 110 V versions

PALLET CAPACITY

TYPE		NO. OF PUMPS
Single-ph.	Three-ph.	
JSWm 1C	JSW 1C	98
JSWm 1B	JSW 1B	98
JSWm 1A	JSW 1A	98
JSWm 2C	JSW 2C	72
JSWm 2A	JSW 2A	72

MATERIALS AND COMPONENTS

1 Pump body Cast iron with cataphoretic treatment, provided with ISO 228/1 threaded ports (for JSW 1)
Cast iron with ISO 228/1 threaded ports (for JSW 2)

2 Cover Stainless steel **AISI 304**

3 Ejector unit Noryl™

4 Impeller Stainless steel **AISI 304**

5 Mechanical seal	Water pump	Seal	Shaft	Materials
	JSW1	AR-12	Ø 12 mm	Ceramic / Graphite / NBR
JSW2	AR-14	Ø 14 mm	Ceramic / Graphite / NBR	

6 Motor shaft Stainless steel **AISI 431**

7 Electric motor **JSWm**: single-phase 230 V - 50 Hz with winding integrated thermal motor protection
JSW: three-phase 230/400 V - 50 Hz
※ Pumps are equipped with high-efficiency motors (IEC 60034-30-1)
class **IE2** for single-phase models
class **IE3** for three-phase models
– Continuous running duty **S1**
– Insulation: CLASS F
– Protection rating: IP X4

