

-  Clean water
-  Domestic use
-  Agricultural use
-  Industrial use

※ Centrifugal pumps made entirely of Stainless Steel



CP-ST4

- ※ Pump body: **AISI 304 stainless steel**
- ※ Rotor: **AISI 304 stainless steel**
- ※ Shaft: **AISI 431 stainless steel**

CP-ST6

- ※ Pump body: **AISI 316L stainless steel**
- ※ Rotor: **AISI 316L stainless steel**
- ※ Shaft: **AISI 316L stainless steel**

PERFORMANCE RANGE

- Flow rate up to **270 l/min** (16.2 m³/h)
- Head up to **45 m**

INSTALLATION AND USE

Designed to transfer clean water free from abrasive particles and liquids that will not damage the pump's components.

Thanks to their construction features, these centrifugal pumps are suited for domestic, agricultural, and industrial applications.

All components in contact with the pumped liquid are made of AISI 304 or AISI 316L stainless steel, ensuring total hygiene and maximum corrosion resistance.

ELECTRIC MOTOR


Equipped with cutting-edge electric motors, the three-phase pumps are designed to work with inverters, offering stable and noiseless performance.

They feature efficiency class **IE3** for three-phase motors and **IE2** for single-phase motors, bolstered by class F insulation and IPX4 protection.

APPLICATION LIMITS

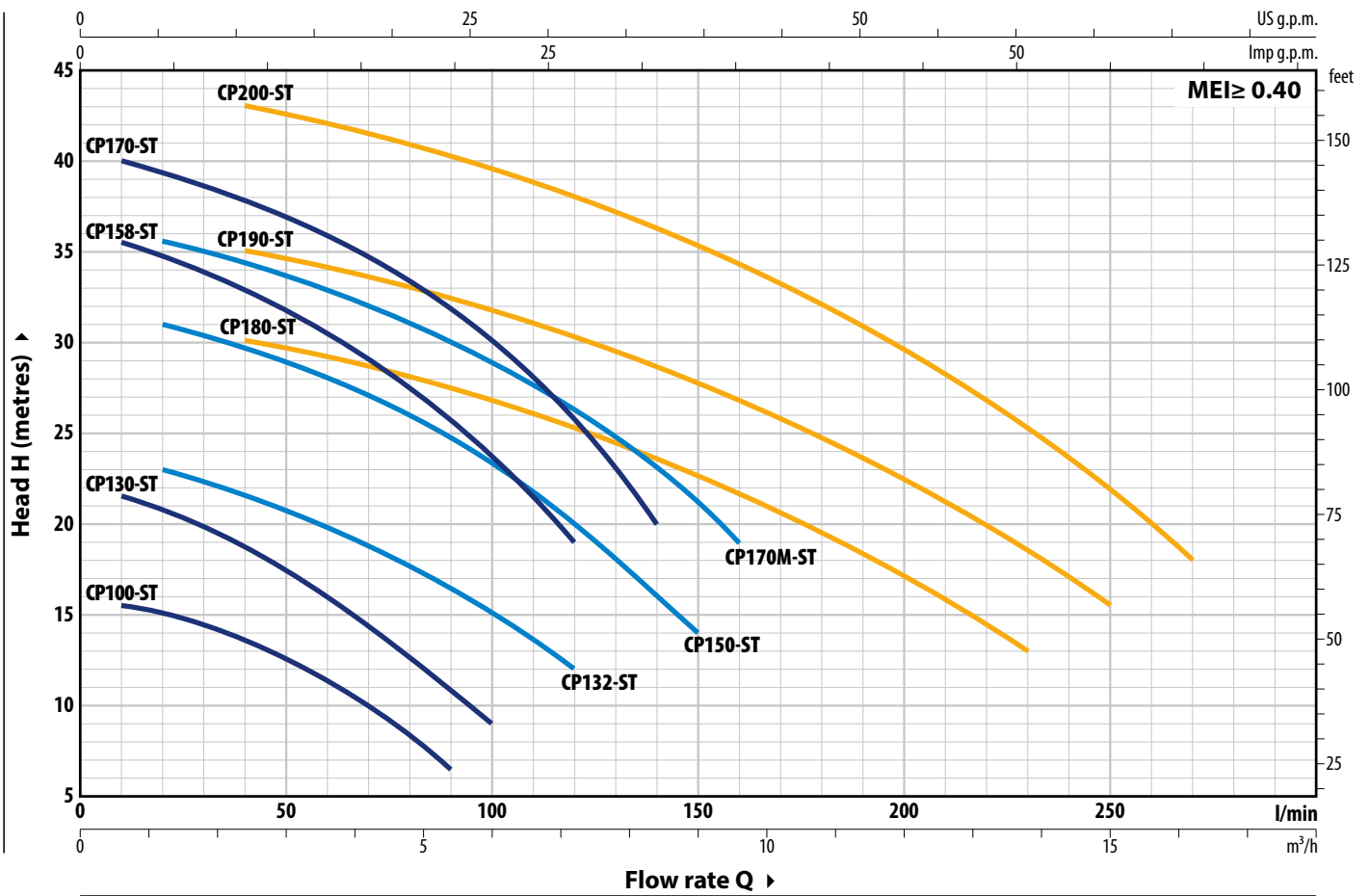
- Manometric suction head up to **7 m**
- Liquid temperature between **-10 °C** and **+90 °C**
- Ambient temperature up to **+40 °C**
- Maximum working pressure:
 - **6 bar** for CP 100-130-132-150-158 ST4
CP 100-130-132-150-158 ST6
 - **8 bar** for CP 170-170M ST4
CP 170-170M ST6
CP 180-190-200 ST4
CP 180-190-200 ST6

AVAILABLE UPON REQUEST

- ※ Mechanical seal options available
- ※ Protection rating IP X5 for CP 170-170M-180-190-200 ST
- ※ Different voltage requirements 60 Hz frequency
- ※ Certified pumps 

CURVES AND PERFORMANCE DATA – HS=0 m

50 Hz



TYPE		POWER (P ₂)		1~3~	Q	m ³ /h																		
Single-phase	Three-phase	kW	HP			0	0.6	1.2	2.4	3.6	5.4	6.0	7.2	8.4	9.0	9.6	12	13.8	15	16.2				
						l/min																		
						0	10	20	40	60	90	100	120	140	150	160	200	230	250	270				
CPm 100-ST4	CP 100-ST4	0.25	0.33	IE2	IE3	H metres	16	15.5	15	13.5	11.2	6.5												
CPm 100-ST6	CP 100-ST6																							
CPm 130-ST4	CP 130-ST4	0.37	0.50							22.5	21.5	20.8	18.8	16	10.8	9								
CPm 130-ST6	CP 130-ST6																							
CPm 132-ST4	CP 132-ST4	0.55	0.75							24	-	23	21.5	19.8	16.5	15	12							
CPm 132-ST6	CP 132-ST6																							
CPm 150-ST4	CP 150-ST4	0.75	1							32	-	31	29.8	28	24.8	23.2	20	16	14					
CPm 150-ST6	CP 150-ST6																							
CPm 158-ST4	CP 158-ST4	0.75	1							36.5	35.5	34.5	33	31	26.2	24	19							
CPm 158-ST6	CP 158-ST6																							
CPm 170-ST4	CP 170-ST4	1.1	1.5							41	40	39.2	37.8	36	32	30	25.8	20						
CPm 170-ST6	CP 170-ST6																							
CPm 170M-ST4	CP 170M-ST4	1.1	1.5							36.5	-	35.5	34.3	33	30	29	26.4	23	21	19				
CPm 170M-ST6	CP 170M-ST6																							
CPm 180-ST4	CP 180-ST4	1.1	1.5							31.5	-	-	30	29.2	27.5	26.8	25.2	23.5	22.5	21.5	17	13		
CPm 180-ST6	CP 180-ST6																							
CPm 190-ST4	CP 190-ST4	1.5	2							37	-	-	35	34	32.2	31.5	30.2	28.7	27.8	27	22.7	18.5	15.5	
CPm 190-ST6	CP 190-ST6																							
CPm 200-ST4	CP 200-ST4	2.2	3				45	-	-	43	42	40.2	39.5	38	36.5	35.5	34.5	29.8	25.5	22	18			
CPm 200-ST6	CP 200-ST6																							

Q = Flow rate H = Total manometric head HS = Suction height

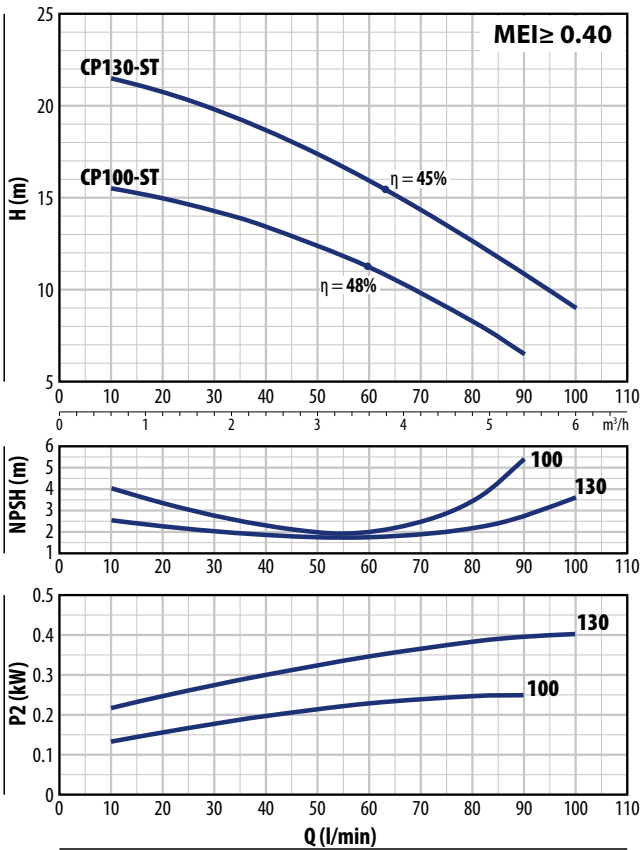
Performance curves comply with EN ISO 9906 Grade 3B tolerance limits.

CP-ST

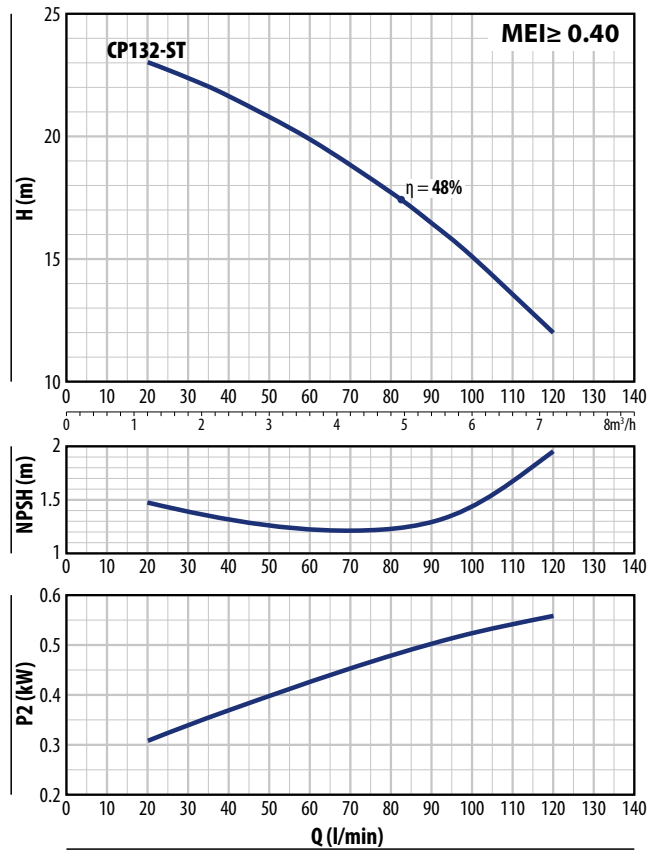
PERFORMANCE CURVES - HS=0 m

50 Hz

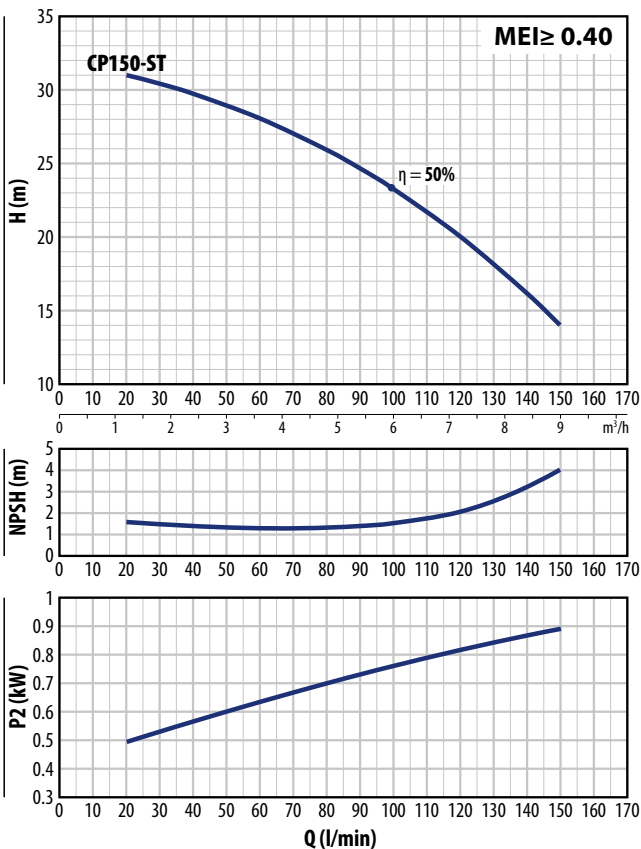
CP 100-ST CP130-ST



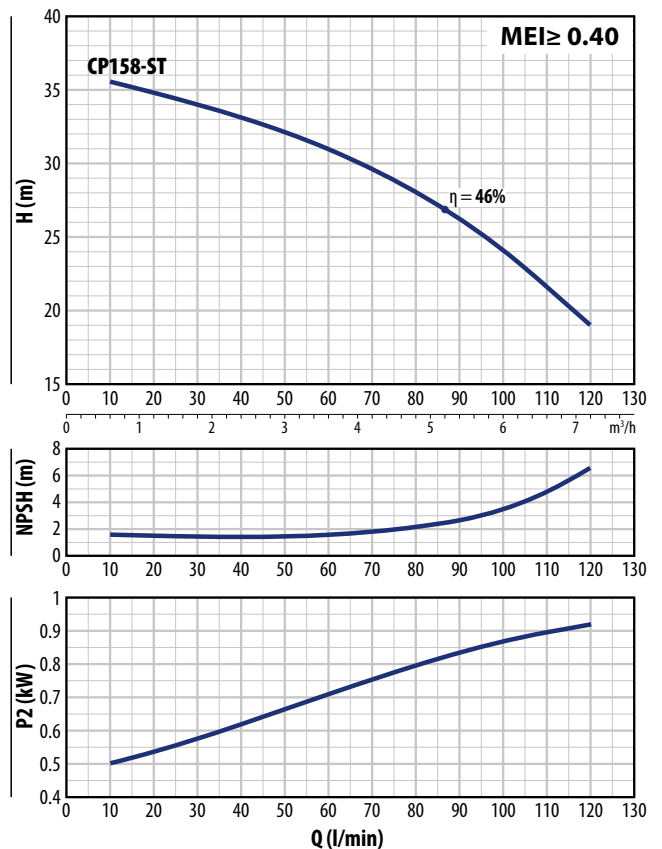
CP 132-ST



CP 150-ST



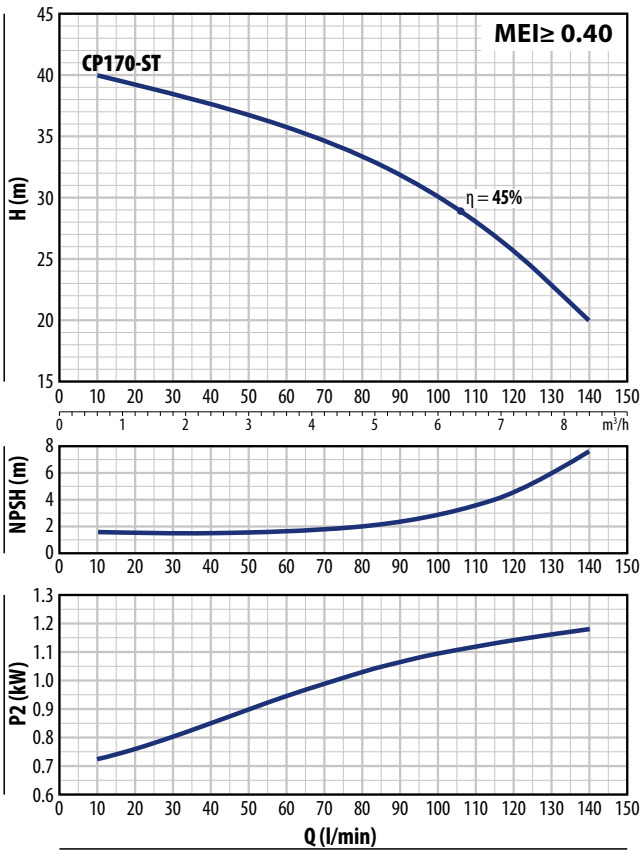
CP 158-ST



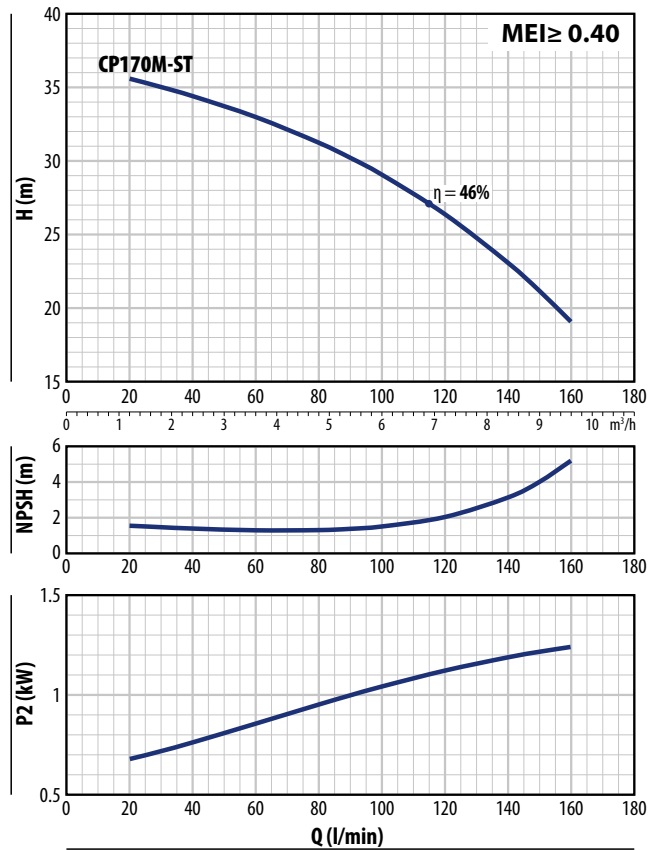
PERFORMANCE CURVES - HS=0 m

50 Hz

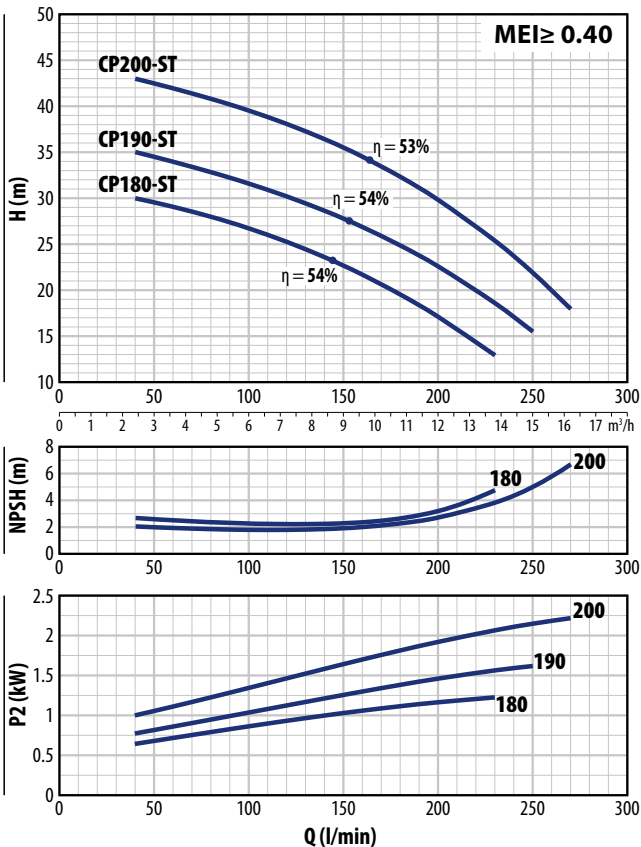
CP 170-ST



CP 170M-ST



CP 180-ST CP 190-ST CP 200-ST



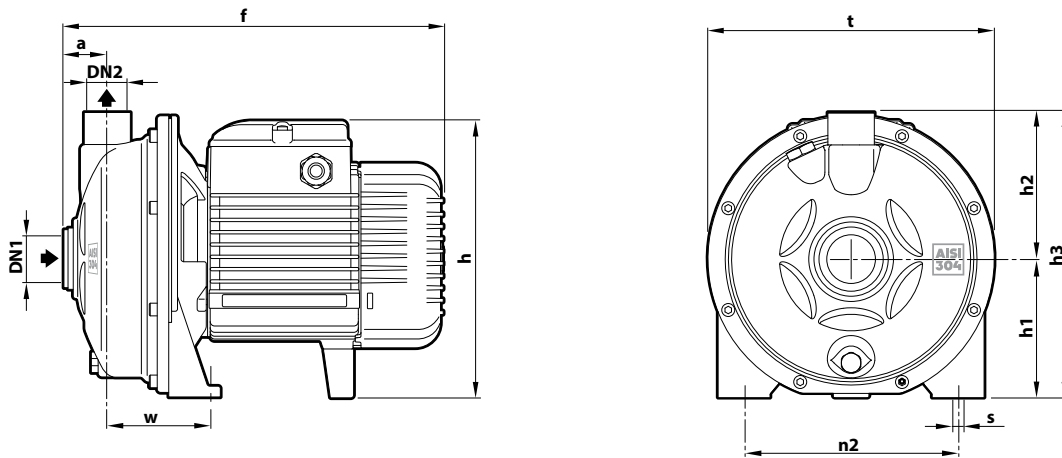
CP-ST4 Technical data

ABSORPTION

TYPE	VOLTAGE
Single-phase	230 V
CPm 100-ST4	2.0 A
CPm 130-ST4	3.0 A
CPm 132-ST4	3.7 A
CPm 150-ST4	6.0 A
CPm 158-ST4	6.0 A
CPm 170-ST4	7.8 A
CPm 170M-ST4	7.8 A
CPm 180-ST4	8.5 A
CPm 190-ST4	10.5 A
CPm 200-ST4	12.8 A

TYPE	VOLTAGE	
	230 V - Δ	400 V - Y
Three-phase		
CP 100-ST4	1.7 A	1.0 A
CP 130-ST4	1.9 A	1.1 A
CP 132-ST4	2.2 A	1.3 A
CP 150-ST4	4.2 A	2.4 A
CP 158-ST4	4.2 A	2.4 A
CP 170-ST4	5.7 A	3.3 A
CP 170M-ST4	5.7 A	3.3 A
CP 180-ST4	5.7 A	3.3 A
CP 190-ST4	6.6 A	3.8 A
CP 200-ST4	8.8 A	5.1 A

DIMENSIONS AND WEIGHT



TYPE		PORTS		DIMENSIONS mm										kg	
Single-phase	Three-phase	DN1	DN2	a	f	h	h1	h2	h3	n2	t	w	s	1~	3~
CPm 100-ST4	CP 100-ST4	1 1/4"	1"	31.5	266	181	92	93.5	185.5	120	181	68.5	9	5.8	5.8
CPm 130-ST4	CP 130-ST4													6.7	6.7
CPm 132-ST4	CP 132-ST4													7.4	7.3
CPm 150-ST4	CP 150-ST4			34	296	219 *	107	112	219	165	221	80.5	9.5	11.1	11.1
CPm 158-ST4	CP 158-ST4													11.1	11.1
CPm 170-ST4	CP 170-ST4			33.5	370	251	120	117.5	237.5	180	244	86.5	11	16.0	14.7
CPm 170M-ST4	CP 170M-ST4													15.9	14.6
CPm 180-ST4	CP 180-ST4													15.8	15.8
CPm 190-ST4	CP 190-ST4			33.5	370	250	120	117.5	237.5	180	244	86.5	11	17.1	17.1
CPm 200-ST4	CP 200-ST4													19.6	19.6
					390										

(*) h=233 mm for single-phase 110 V versions

PALLET CAPACITY

TYPE		NO. OF PUMPS
Single-phase	Three-phase	
CPm 100-ST4	CP 100-ST4	96
CPm 130-ST4	CP 130-ST4	96
CPm 132-ST4	CP 132-ST4	96
CPm 150-ST4	CP 150-ST4	50
CPm 158-ST4	CP 158-ST4	50
CPm 170-ST4	CP 170-ST4	45
CPm 170M-ST4	CP 170M-ST4	45
CPm 180-ST4	CP 180-ST4	45
CPm 190-ST4	CP 190-ST4	45
CPm 200-ST4	CP 200-ST4	45

CONSTRUCTION FEATURES

1 Pump body Stainless steel **AISI 304**

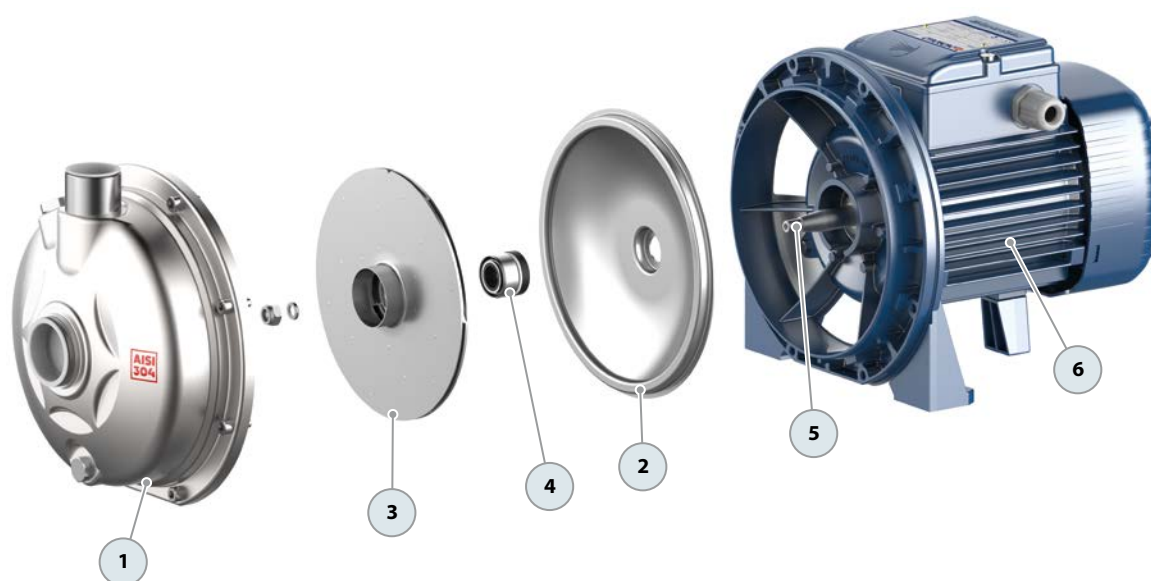
2 Cover Stainless steel **AISI 304**

3 Impeller Stainless steel **AISI 304**

4 Mechanical seal	Pump	Seal	Shaft	Materials
	CP 100-130-131-ST4	AR-12	Ø 12 mm	Ceramic / Graphite / NBR / AISI 304
CP 150-158-ST4	AR-14	Ø 14 mm	Ceramic / Graphite / NBR / AISI 304	
CP 170-170M-180-190-200-ST4	FN-18	Ø 18 mm	Graphite / Ceramic / NBR / AISI 316	

5 Motor shaft Stainless steel **AISI 431**

6 Electric motor **CPm-ST4:** single-phase 230 V - 50 Hz with winding integrated thermal motor protection.
CP-ST4: three-phase 230/400 V - 50 Hz
 ※ Pumps are equipped with high-efficiency motors (IEC 60034-30-1)
 class **IE2** for single-phase models
 class **IE3** for three-phase models
 Continuous running duty **S1**

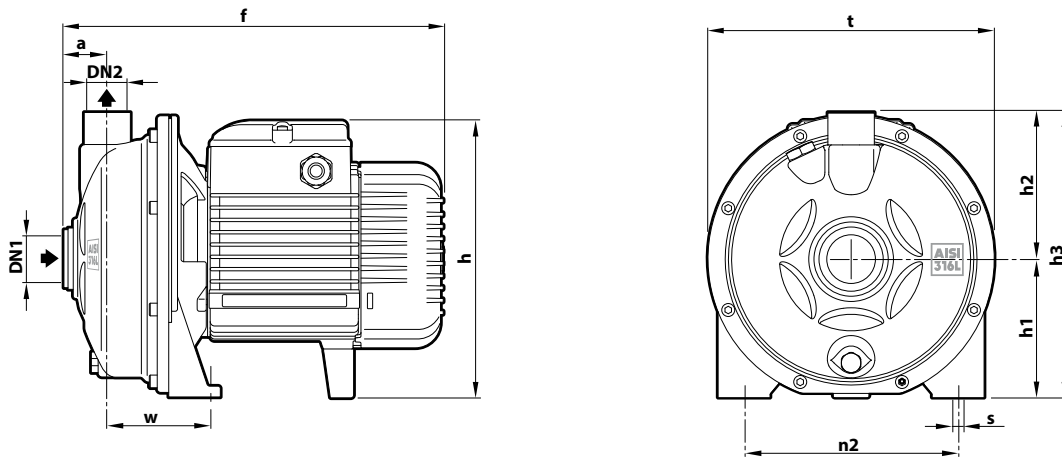


ABSORPTION

TYPE	VOLTAGE
Single-phase	230 V
CPm 100-ST6	2.0 A
CPm 130-ST6	3.0 A
CPm 132-ST6	3.7 A
CPm 150-ST6	6.0 A
CPm 158-ST6	6.0 A
CPm 170-ST6	7.8 A
CPm 170M-ST6	7.8 A
CPm 180-ST6	8.5 A
CPm 190-ST6	10.5 A
CPm 200-ST6	12.8 A

TYPE	VOLTAGE	
	230 V - Δ	400 V - Y
Three-phase		
CP 100-ST6	1.7 A	1.0 A
CP 130-ST6	1.9 A	1.1 A
CP 132-ST6	2.2 A	1.3 A
CP 150-ST6	4.2 A	2.4 A
CP 158-ST6	4.2 A	2.4 A
CP 170-ST6	5.7 A	3.3 A
CP 170M-ST6	5.7 A	3.3 A
CP 180-ST6	5.7 A	3.3 A
CP 190-ST6	6.6 A	3.8 A
CP 200-ST6	8.8 A	5.1 A

DIMENSIONS AND WEIGHT



TYPE		PORTS		DIMENSIONS mm										kg	
Single-phase	Three-phase	DN1	DN2	a	f	h	h1	h2	h3	n2	t	w	s	1~	3~
CPm 100-ST6	CP 100-ST6	1 1/4"	1"	31.5	266	181	92	93.5	185.5	120	181	68.5	9	5.8	5.8
CPm 130-ST6	CP 130-ST6													6.7	6.7
CPm 132-ST6	CP 132-ST6													7.4	7.3
CPm 150-ST6	CP 150-ST6			34	296	219 *	107	112	219	165	221	80.5	9.5	11.1	11.1
CPm 158-ST6	CP 158-ST6													11.1	11.1
CPm 170-ST6	CP 170-ST6			33.5	370	251	120	117.5	237.5	180	244	86.5	11	16.0	14.7
CPm 170M-ST6	CP 170M-ST6													15.9	14.6
CPm 180-ST6	CP 180-ST6													15.8	15.8
CPm 190-ST6	CP 190-ST6			33.5	370	250	120	117.5	237.5	180	244	86.5	11	17.1	17.1
CPm 200-ST6	CP 200-ST6													19.6	19.6
					390										

(*) h=233 mm for single-phase 110 V versions

PALLET CAPACITY

TYPE		NO. OF PUMPS
Single-phase	Three-phase	
CPm 100-ST6	CP 100-ST6	96
CPm 130-ST6	CP 130-ST6	96
CPm 132-ST6	CP 132-ST6	96
CPm 150-ST6	CP 150-ST6	50
CPm 158-ST6	CP 158-ST6	50
CPm 170-ST6	CP 170-ST6	45
CPm 170M-ST6	CP 170M-ST6	45
CPm 180-ST6	CP 180-ST6	45
CPm 190-ST6	CP 190-ST6	45
CPm 200-ST6	CP 200-ST6	45

CONSTRUCTION FEATURES

1 Pump body Stainless steel **AISI 316L**

2 Cover Stainless steel **AISI 316L**

3 Impeller Stainless steel **AISI 316L**

4 Mechanical seal	Pump	Seal	Shaft	Materials
	CP 100-130-132-ST6	AR-12ST6	Ø 12 mm	Ceramic / Graphite / NBR / AISI 316
	CP 150-158-ST6	AR-14ST6	Ø 14 mm	Ceramic / Graphite / NBR / AISI 316
	CP 170-170M-180-190-200-ST6	FN-18ST6	Ø 18 mm	Graphite / Ceramic / NBR / AISI 316

5 Motor shaft Stainless steel **AISI 316L**

6 Electric motor **CPm-ST6:** single-phase 230 V - 50 Hz with winding integrated thermal motor protection.
CP-ST6: three-phase 230/400 V - 50 Hz
 ※ Pumps are equipped with high-efficiency motors (IEC 60034-30-1)
 class **IE2** for single-phase models
 class **IE3** for three-phase models
 Continuous running duty **S1**

