



Clean water



Industrial use



PERFORMANCE RANGE

- Flow rate up to **45 l/min** (2.7 m³/h)
- Head up to **105 m**

INSTALLATION AND USE

Designed to transfer clean water free from abrasive particles and liquids that will not damage the pump's components.

The construction features of these compact brass pumps ensure protection against rust and oxidation and are suited for various industrial applications, such as **cooling and air conditioning**.

ELECTRIC MOTOR

Equipped with cutting-edge electric motors, the three-phase pumps are designed to work with inverters, offering stable and noiseless performance.

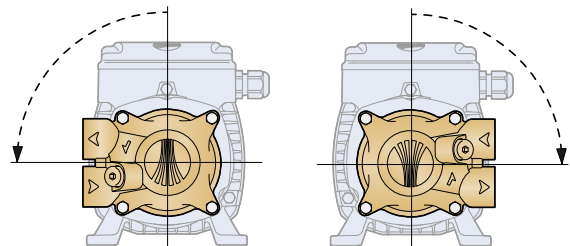
They feature efficiency class **IE3** for three-phase motors and **IE2** for single-phase motors, bolstered by class F insulation and IPX4 protection.

APPLICATION LIMITS

- Manometric suction head up to **8 m**
- Liquid temperature between **-10 °C** and **+90 °C**
- Ambient temperature between **-10 °C** and **+50 °C**
- Maximum working pressure **10 bar**

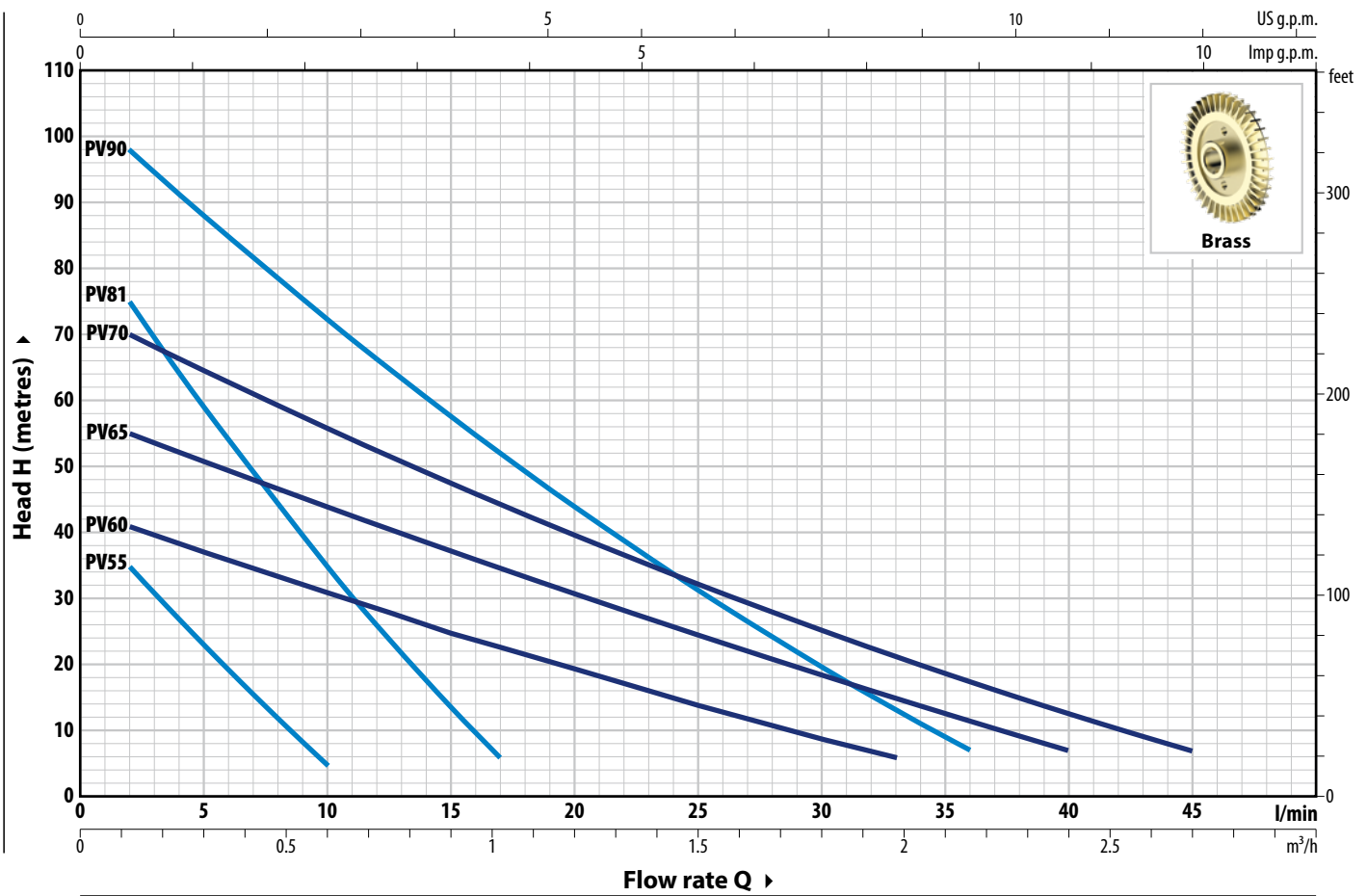
AVAILABLE UPON REQUEST

- ✘ Mechanical seal options available
- ✘ Protection rating IP X5 for PV70-90
- ✘ Different voltage requirements 60 Hz frequency
- ✘ **The pump body can be rotated**



CURVES AND PERFORMANCE DATA – HS=0 m

50 Hz



TYPE		POWER (P ₂)		Q		Q													
Single-ph.	Three-ph.	kW	HP	1~	3~	m ³ /h	0	0.12	0.18	0.24	0.3	0.36	0.42	0.48	0.54	0.6	0.66	0.72	
						l/min	0	2	3	4	5	6	7	8	9	10	11	12	
PVm 55	PV 55	0.18	0.25	IE2	IE3	H metres	50 Hz	43	35	31	27	23.2	19.4	15.7	12	8.5	5		
							60 Hz	56	46	41	36.5	32	27.5	23.4	19.4	15.5	11.9	8.3	5

✘ The Pvm55 and PV55 pump is designed to operate at 50 and 60 Hz

TYPE		POWER (P ₂)		Q		Q													
Single-ph.	Three-ph.	kW	HP	1~	3~	m ³ /h	0	0.12	0.3	0.6	0.9	1.02	1.2	1.5	1.8	1.98	2.16	2.4	2.7
						l/min	0	2	5	10	15	17	20	25	30	33	36	40	45
PVm 60	PV 60	0.37	0.50			H metres	44	41	37	31	25	22.7	19.4	14	8.9	6			
PVm 81	PV 81	0.37	0.50				86	75	59	35	13.7	6							
PVm 65	PV 65	0.55	0.75	IE2	IE3	H metres	58	55	51	44	37	34.5	31	24.5	18.5	14.9	11.5	7	
PVm 70	PV 70	0.75	1				74	70	64.5	56	47.5	44.5	39.5	32	25.3	21.3	17.5	12.7	7
PVm 90	PV 90	0.75	1				105	98	88	72.5	57.5	52	44	31	19.6	13.1	7		

Q = Flow rate H = Total manometric head HS = Suction height

Performance curves comply with EN ISO 9906 Grade 3B tolerance limits.

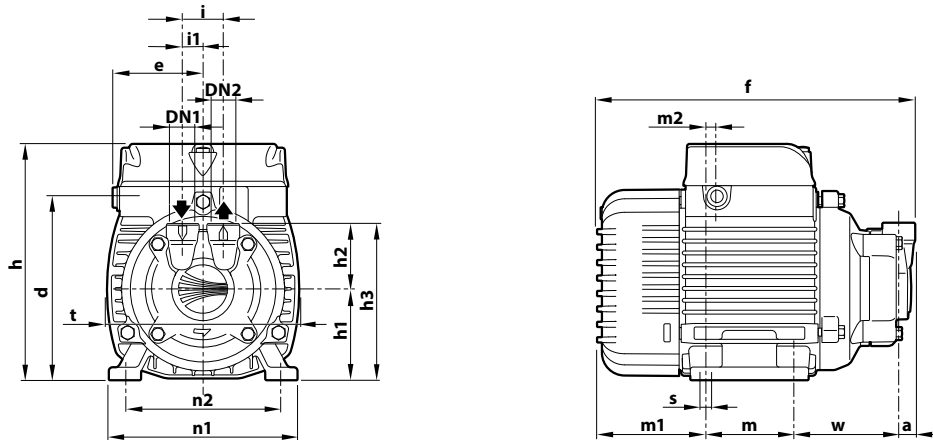
ABSORPTION

TYPE	VOLTAGE
Single-phase	230 V
PVm 55 (50 Hz)	1.6 A
PVm 55 (60 Hz)	2.0 A
PVm 60	2.8 A
PVm 81	3.0 A
PVm 65	4.4 A
PVm 70	6.3 A
PVm 90	6.3 A

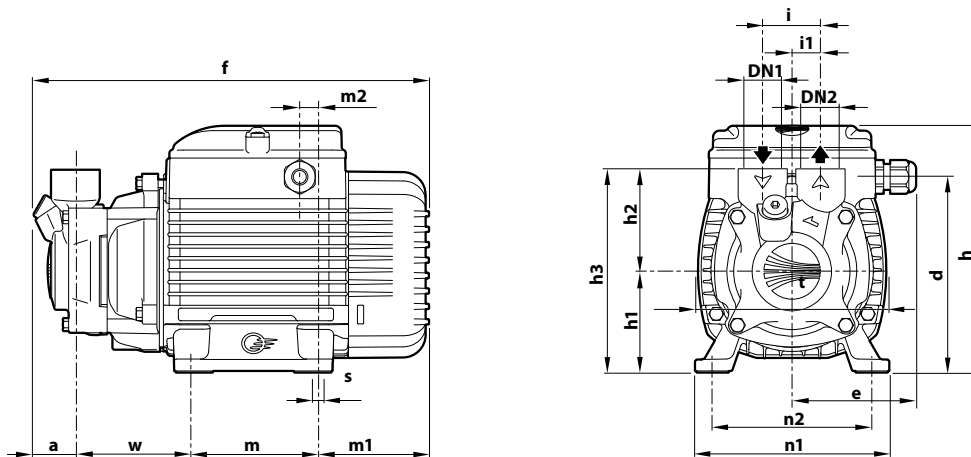
TYPE	VOLTAGE	
Three-phase	230 V - Δ	400 V - Ǝ
PV 55 (50 Hz)	1.5 A	0.9 A
PV 55 (60 Hz)	1.2 A	0.7 A
PV 60	2.1 A	1.2 A
PV 81	2.1 A	1.2 A
PV 65	2.6 A	1.5 A
PV 70	4.2 A	2.4 A
PV 90	4.2 A	2.4 A

DIMENSIONS AND WEIGHT

PV 55



PV 60-81-65-70-90



TYPE		PORTS		DIMENSIONS mm																kg			
Single-ph.	Three-ph.	DN1	DN2	a	d	e	f	h	h1	h2	h3	i	i1	m	m1	m2	n1	n2	t	w	s	1~	3~
PVm 55	PV 55	1/4"	1/4"	10.5	112	55.5	194	145	56	40	96	25	12.5	55	65.5	8	116	94/100	116	63	7	4.4	4.3
PVm 60	PV 60	1/2"	1/2"	26			243.5			62	125									68		5.5	5.4
PVm 81	PV 81			26.5	120.5	76	241	152	63	65	128	35	17.5	80	69.5	11.5	120	98/102	116	65		6.9	6.9
PVm 65	PV 65	3/4"	3/4"	27			243.5			66	129	45								67	7	6.7	6.7
PVm 70	PV 70			26.5	139	79	276	180	71	66	137	45	22.5	90	80.5	22	134	110/114	141	79		10.2	9.7
PVm 90	PV 90			28			275														76.5		10.0

(*) h=196 mm for single-phase 110 V versions

CONSTRUCTION FEATURES

1 Pump body	Brass, equipped with ISO 228/1 threaded ports		
2 Seal cover	Brass		
3 Motor bracket	Aluminum		
4 Impeller	Brass, radial peripheral vane type		
5 Mechanical seal	Type	Shaft	Materials
	ST1-12	Ø 12 mm	Silicon carbide / Graphite / NBR
6 Motor shaft	Stainless steel AISI 431		
7 Electric motor	<p>PVm: single-phase 230 V - 50 Hz (50/60 Hz for PVm55) with winding integrated thermal motor protection.</p> <p>PV: three-phase 230/400 V - 50 Hz (50/60 Hz for PV55).</p> <p>※ Pumps are equipped with high-efficiency motors (IEC 60034-30-1) class IE2 for single-phase models class IE3 for three-phase models</p> <p>Continuous running duty S1</p>		

