



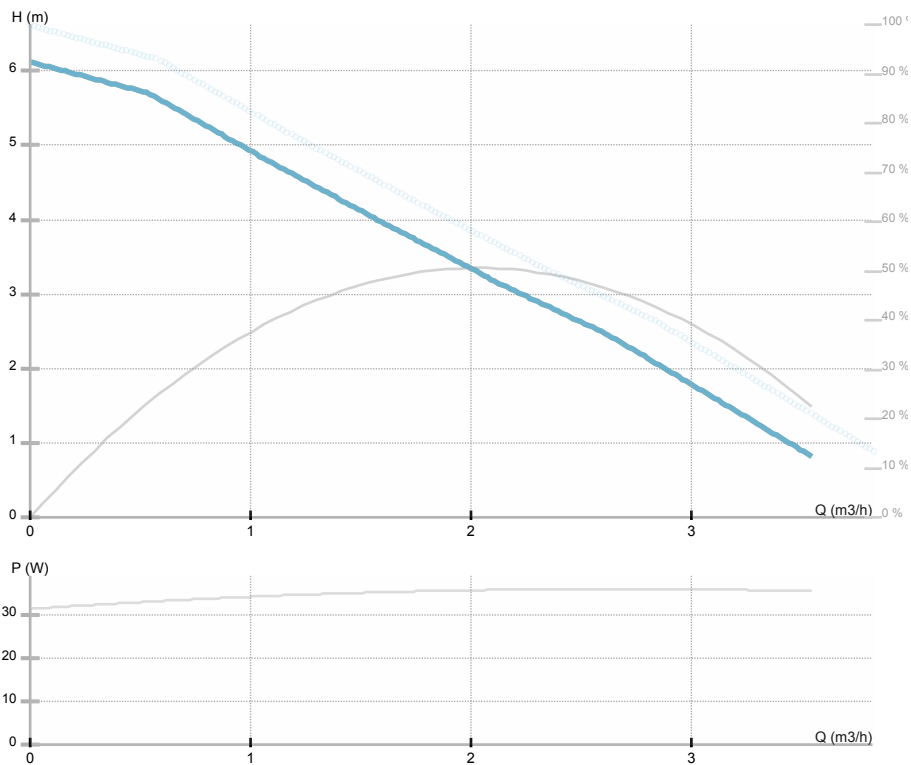
NMT MINI 25/60-180

979525371

NMT MINI

GENERAL

| | | | |
|-------------------|----------------------------|-------------------------|----------------------------|
| Product number | 979525371 | | |
| Product name | NMT MINI 25/60-180 | MEI | / |
| Seal type | / | Energy efficiency index | 0.16 |
| Net weight | 1.73 kg | | |
| Head max. (H max) | 6.1 m | H min | 0.0 m |
| Flow max. (Q max) | 4.0 m³/h | Q min | 0.0 m³/h |
| | % | | |
| Noise | ≤43 dB(A) | | |



ELECTRICAL DATA

| | |
|--------------------|-------------------|
| Supply voltage | 1~230 V |
| Mains frequency | 50/60 Hz |
| Power input max. | 35 W |
| Speed max. | 4800 rpm |
| Insulation class | F (155 °C) |
| Current max. | 0.32 A |
| Protection class | IP44 |
| Thermal protection | NTC |
| Frame size | |
| Motor IE class | / |

INSTALLATION

| | |
|------------------------|-----------------------------------|
| Pumped liquid | water VDI 2035, glycol 40% |
| Liquid temperature | -10.0 ÷ 110.0 °C |
| Ambient temp.range | 40 °C |
| Port-to-port length | 180 mm |
| Pipe connection | 25 |
| Pressure rating | G 1 ½ |
| Connection | G 1 ½ |
| Max operating pressure | 1.0 MPa |

MATERIAL

| | |
|------------|------------------------|
| Bearing | all carbon |
| Impeller | Noryl Fe 1630PW |
| Hydraulics | gray cast iron |
| Shaft | AISI 420 |

NMT MINI 25/60-180

979525371

NMT MINI



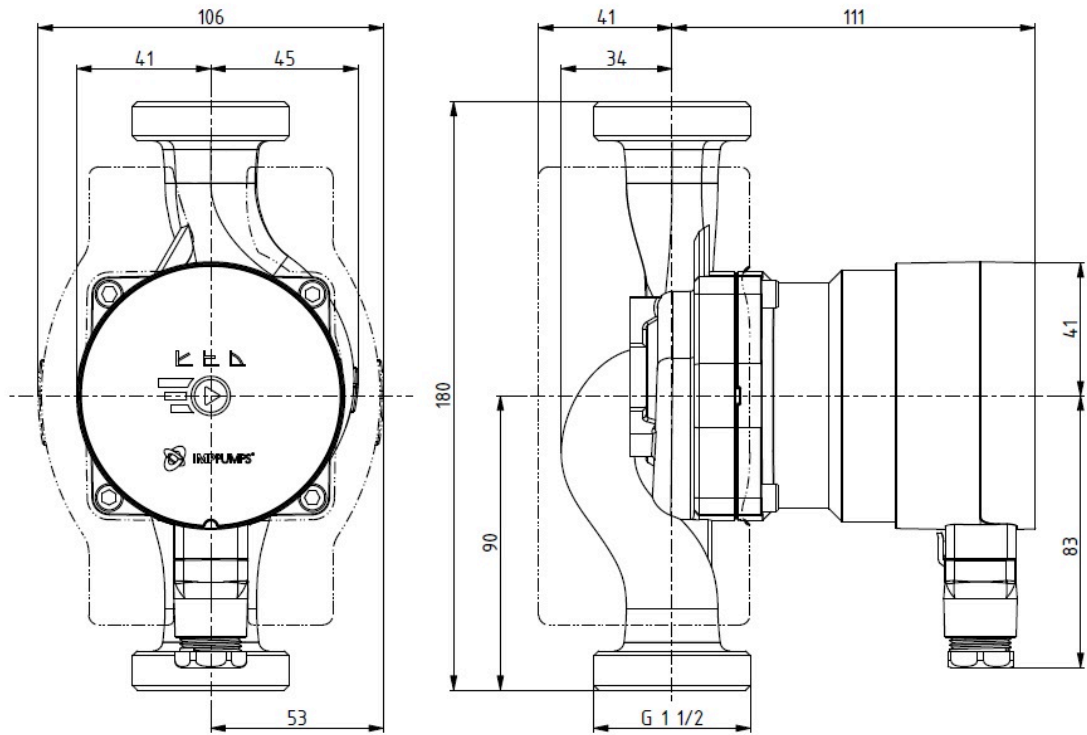


NMT MINI 25/60-180

979525371

NMT MINI

Dimension drawing



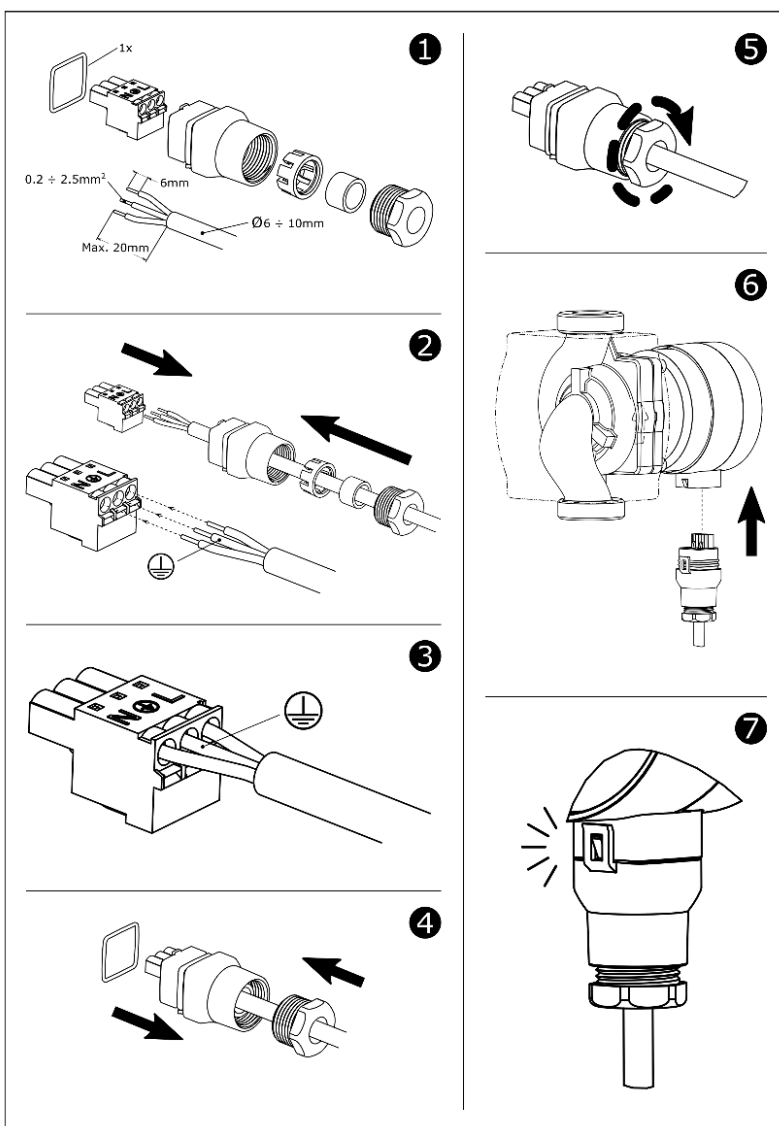


NMT MINI 25/60-180

979525371

NMT MINI

Electrical wiring





NMT MINI 25/60-180

979525371

NMT MINI

NMT MINI 25/60-180 is a high efficiency (Energy-Efficiency-Index (EEI) $\leq 0,18$) variable speed circulating pump meant for heating, air conditioning and cooling systems.

The pump includes a permanent magnet synchronous motor, the impeller speed is controlled by a built-in frequency converter.

The pump is controlled by a button on the screen, which displays the selected level and operating mode, as well as error messages. Errors on the display are indicated by flashing of all operating levels.

A number of flashes at shorter intervals indicates a group of faults.

The following pump operating modes are available:

3 levels of regulation at proportional-pressure operating mode, recommended for radiator heating

3 levels of regulation at constant pressure operating mode, recommended for floor heating

3 levels of regulation at fixed speeds operating mode, recommended for heating and ventilation

summer mode - the pump is automatically switched on to minimum speed for a short time when the pump is in standby mode to prevent rotor blocking.

The pump has a built-in electronic protection unit that protects the pump from overload. The pump bearings are lubricated with the medium. The pump is equipped with a system to protect against dry running - the rotation of the runner slows down to a minimum if there is no medium in the pump.

For normal operation of the pump, it is necessary to use a working medium consisting of clean water or a mixture of clean water and glycol in accordance with current water quality standards for heating systems, for example the German standard VDI 2035. If the glycol content in the working medium exceeds 20%, it is recommended to check the pump parameters Temperature range at an ambient temperature of +25 °C: +2...+110 °C, at ambient temperature +40 °C: +2...+95 °C.

Duty point:

- Flow: 0 m³/h

- Head: 0 m

Tolerances for head and flow according to ISO 9906-2015.

Electrical data:

- Voltage: 1~230 V

- Maximum current: 0.32 A

Installation data:

- DN: 25

- Installation length: 180 mm

- Net weight: 1.73 kg

The pump is available with threaded (PN10) connection. The hydraulic pump housing is made of gray cast iron, protected by a cathaphoresis coating, which makes the pump more resistant to the environment. The rotor can is made of one piece without welding, the rotor cladding is made of AISI 316 stainless steel, the pump shaft is made of AISI 316 stainless steel. The impeller is made of synthetic material reinforced with glass fiber PES GF30. The bearings are made of graphite.

Removable thermal insulation of the pump housing is included in the delivery package.