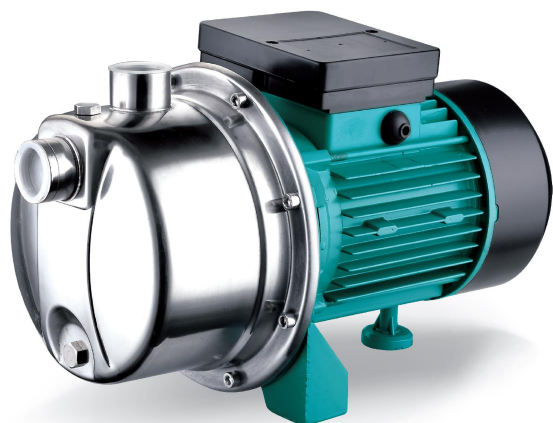


# 3(4,5)XCmC Centrifugal multistage stainless steel pump



## Application

- Transfer of clear water or other liquids chemically and physically comparable to water
- Suitable for industrial use and water supply, long distance water transfer, etc.

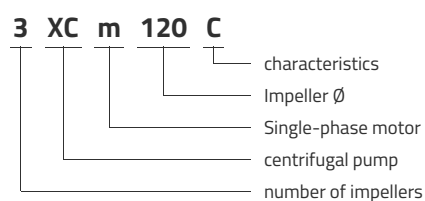
## Pompe

- Stainless steel pump body
- AISI 304 stainless steel shaft
- Maximum liquid temperature: +40°C
- Maximum suction height: 8 m

## Moteur

- Integrated thermal protection for single-phase motors
- Insulation class: F
- Protection class: IPX4
- Maximum ambient temperature: +40°C

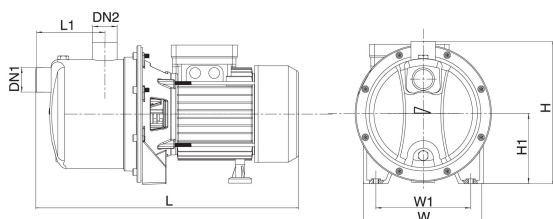
## Identification codes



## Technical data

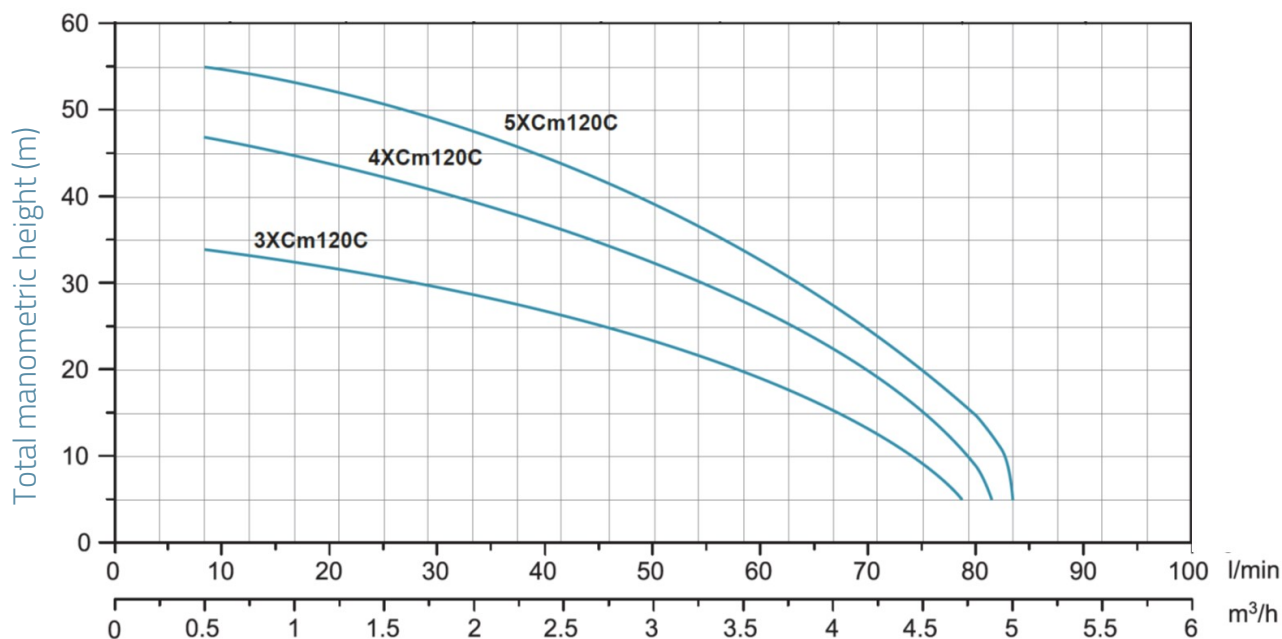
MODEL	kW	Q (m³/h)		0	0.6	1.2	1.8	2.4	3	3.6	4.2	4.8	4.9	5
		Q (l/min)	0	10	20	30	40	50	60	70	80	82	83	
3XCm120C	0.6	34	33	31.5	29	26	22	17.5	11.5	3.5				
4XCm120C	0.75	48	45.5	42.5	39.5	36	31.5	26	18.8	9	3			
4XCm120CE	0.75	48	45.5	42.5	39.5	36	31.5	26	18.8	9	3			
4XCm120CA5	0.75	48	45.5	42.5	39.5	36	31.5	26	18.8	9	3			
5XCm120C	0.9	56.5	54.5	52	48.2	44	38.5	32	24	15	12.5	3		
5XCm120CE	0.9	56.5	54.5	52	48.2	44	38.5	32	24	15	12.5	3		
5XCm120CA5	0.9	56.5	54.5	52	48.2	44	38.5	32	24	15	12.5	3		
4XC120C	0.75	48	45.5	42.5	39.5	36	31.5	26	18.8	9	3			
5XC120C	0.9	56.5	54.5	52	48.2	44	38.5	32	24	15	12.5	3		

## Dimensions



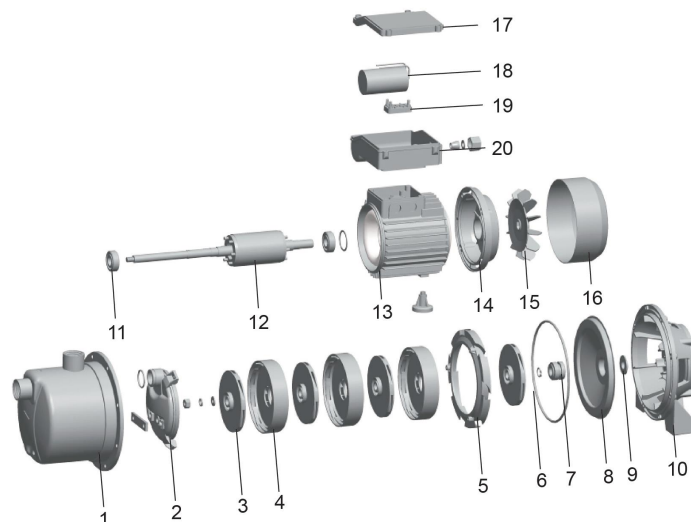
MODEL	DN1	DN2	L	W	H	L1	W1	H1
3XCm120C	1	1	362	174	208	77	140	103
4XCm120C	1	1	386	174	208	104	140	103
4XCm120CE								
4XCm120CA5								
5XCm120C	1	1	410	174	208	125	140	103
5XCm120CE								
5XCm120CA5								
4XC120C	1	1	386	174	208	104	140	103
5XC120C	1	1	410	174	208	125	140	103

## Hydraulic performance



## Exploded view

No.	Type	Materials
1	Pump body	AISI 304 stainless steel
2	Diffuser	noryl (PPD)
3	Impeller	noryl (PPD)
4	Diffuser	noryl (PPD)
5	Clamping ring	noryl (PPD)
6	O-ring	nitrile rubber (NBR)
7	Mechanical seal	carbon / ceramic
8	Pump bottom	AISI 304 stainless steel
9	Rubber washer	
10	Lantern	cast aluminum ZL102
11	Bearing	
12	Rotor	
13	Stator	
14	Rear cover	cast aluminum ZL102
15	Fan	polypropylene
16	Fan cover	08F steel
17	Electric box cover	ABS
18	Capacitor	
19	Terminal board	
20	Terminal Box	ABS



## Packaging

MODEL	Weight (kg)	Length L (mm)	Width W (mm)	Height H (mm)
3XCm120C	9.5	405	235	265
4XCm120C	10.5	430	235	265
4XCm120CE	0	0	0	0
4XCm120CA5	0	0	0	0
5XCm120C	11.5	455	235	265
5XCm120CE	0	0	0	0
5XCm120CA5	0	0	0	0
4XC120C	10.5	430	235	265
5XC120C	11.5	455	235	265

